



YEARS

**V.10**  
DECKHARDWARE  
PORTLIGHTS & HATCHES

**RUTGERSON**  
*Best in action*



You might think it started in 1976.  
I would rather say the late 40s or early 50s.

**A** few nautical miles west of Marstrand there's a small island with a light house called *Pater Noster*. It was built in 1868. Pater Noster is the latin name of the prayer *Our Father* and its origin is much older than the light house itself. In the old days when seamen and fishermen approached Marstrand, they said that prayer in hope of reaching their destination.

Marstrand is a fabulous sailing venue but it can quickly turn dangerous with hard winds, rough seas, a strong current and thousands of treacherous rocks.

This is where I grew up in the 40s and 50s, this is where I learned to both love and fear the sea, this



is where the Rutgeron philosophy was founded; we know what boat fittings must handle during the worst of circumstances and that's why our core values are innovation, performance and reliability.

In 1976 I invented the revolutionary *Super Ring* and founded Rutgeron Marin. I wanted to offer modern, user-friendly and reliable boat fittings to sailors all over the world. Today, after 40 years, these values are still true and we will continue to develop smart and innovative solutions for many years to come.

At Rutgeron we don't compromise about quality. Never have. Never will. You just don't do that if you're born and raised in a place like Marstrand.

**Göran Rutgeron**

EXECUTIVE DIRECTOR AND OWNER

## CONTENTS

<b>Portlights</b>	4	<b>Deck Hardware</b>	22
Oval Portlights	6	Blocks and wire Blocks	22
Rectangular Portlights	8	Footblocks	33
Elliptical Portlights	10	Rope clutches	34
Round Portlights	12	Deck Fillers	36
Customised portlights	13	Padeyes and stainless steel fittings	37
Accessories	14	Deck organisers	38
<b>Hatches</b>	16	Mainsheet System	40
Classic Hatches	18	Genoa System	46
Master Flush Hatches	20	Self-tacking Jib System	49
Exclusive Flush Hatches	21	General warranty & key terms of supply by Rutgerston Marin AB	51

Portlights

Hatches

Blocks

Rope Clutches

Padeyes &  
Organisers

Mainsheet  
System

Genoa System

Self Tacking  
Jib System



Photo: Curtosy of Bertel Kalthof. [www.seascape18.com](http://www.seascape18.com)

# PORTLIGHTS

## PORTLIGHTS

Rutgerson portlights are famous for their seamless design as well as extensive range of shapes and sizes. Portlights let light and air into the boat and keep water and moisture out. They also make a strong visual statement about the quality of the craft. The design and construction of Rutgerson portlights fit all kinds of boats, but they are in particular suitable for the high end of the market as they offer great upper class added value.

The Rutgerson portlights are deep drawn in Swedish stainless steel 316L and polished to a high lustre. The seamless construction ensures that the strength and elegant design will last far longer than conventional alternatives.

The tinted acrylic glass is either 10 or 15mm thick and the window area of Rutgerson portlights is in general largest on the market. An essential factor is the seal around the opening window and frame. The most common materials used by other brands are cellular rubber or compressible foam, but they tend to disintegrate gradually over the years. These materials are also vulnerable to distortion due to the high pressure on the seal when the portlight is closed. Rutgerson portlights are equipped with a high quality silicone rubber gasket, which is very durable and thus prevents leakage.

The locking mechanism consists of Delrin spiral knobs, designed so that the closing pressure can be varied.

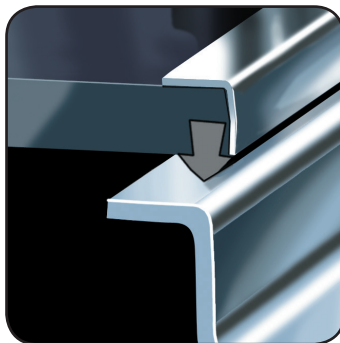
We offer a wide range of inner frames including frames made of stainless steel, which is completely unique. Inner frames are always included and the alternatives are chromed ABS (CH), Off-White ABS (OW) or Stainless Steel (RF).

The portlights are available in oval, rectangular, elliptical and round shapes in both fixed and opening models. All portlights are available in several different depths. They have a simple, fast installation and each product comes with a cut-out template. A range of optional fly screens is also available.

All Rutgerson portlights are CE approved in ocean category A, Area 1.



The hinges are made of polyamide and have a friction function, which enables the glass to stay open in different positions.



The seal is made of silicon rubber, which is the most durable solution and gives the portlight maximum performance. Additionally, the seal is incorporated into the acrylic glass.



The acetal knobs are designed so that the closing pressure can be varied.

## Portlight shapes



### Oval Portlight

403x204 mm



### Rectangular Portlight

370x164 mm

402x195 mm

428x179 mm

700x191 mm



### Elliptical Portlight

450x195 mm

485x225 mm



### Round Portlight

250 mm

## Oval Portlights



Stainless steel reinforcement



Opening



Fixed

### Oval Portlight 403 x 204 mm

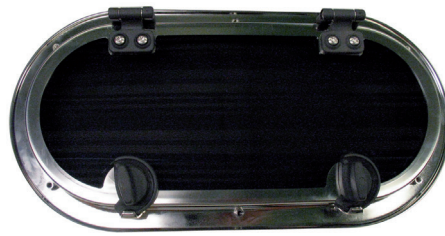
Part no	Glass	Type	Function	Inner frame	Rec. hull thickness [mm]	Depth [mm]	Weight [gr]	Glass Thickness [mm]
A1120-200RF	Tinted	SS reinforcement	Opening	Stainless steel	8 - 14	14	1910	10
A1120-200CH	Tinted	SS reinforcement	Opening	Chrome	8 - 33	14	1990	10
A1120-200OW	Tinted	SS reinforcement	Opening	Off-white	8 - 33	14	1990	10
A1130-200RF	Tinted	SS reinforcement	Opening	Stainless steel	15 - 27	27	2050	10
A1130-200CH	Tinted	SS reinforcement	Opening	Chrome	27 - 46	27	2130	10
A1130-200OW	Tinted	SS reinforcement	Opening	Off-white	27 - 46	27	2130	10
A1150-200RF	Tinted	SS reinforcement	Opening	Stainless steel	28 - 47	47	2150	10
A1150-200CH	Tinted	SS reinforcement	Opening	Chrome	47 - 66	47	2060	10
A1150-200OW	Tinted	SS reinforcement	Opening	Off-white	47 - 66	47	2060	10

Part no	Glass	Type	Function	Inner frame	Rec. hull thickness [mm]	Depth [mm]	Weight [gr]	Glass Thickness [mm]
A1320-200RF	Tinted	Regular	Opening	Stainless steel	8 - 14	14	1640	15
A1320-200CH	Tinted	Regular	Opening	Chrome	8 - 33	14	1710	15
A1320-200OW	Tinted	Regular	Opening	Off-white	8 - 33	14	1710	15
A1330-200RF	Tinted	Regular	Opening	Stainless steel	15 - 27	27	1780	15
A1330-200CH	Tinted	Regular	Opening	Chrome	27 - 46	27	1860	15
A1330-200OW	Tinted	Regular	Opening	Off-white	27 - 46	27	1860	15
A1350-200RF	Tinted	Regular	Opening	Stainless steel	28 - 47	47	1990	15
A1350-200CH	Tinted	Regular	Opening	Chrome	47 - 66	47	2060	15
A1350-200OW	Tinted	Regular	Opening	Off-white	47 - 66	47	2060	15
A1125-200RF	Tinted	Regular	Fixed	Stainless steel	8 - 14	14	1340	10
A1125-200OW	Tinted	Regular	Fixed	Off-white	8 - 33	14	1500	10
A1135-200RF	Tinted	Regular	Fixed	Stainless steel	15 - 27	27	1450	10
A1135-200OW	Tinted	Regular	Fixed	Off-white	27 - 46	27	1600	10
A1155-200RF	Tinted	Regular	Fixed	Stainless steel	28 - 47	47	1660	10
A1155-200OW	Tinted	Regular	Fixed	Off-white	47 - 66	47	1800	10

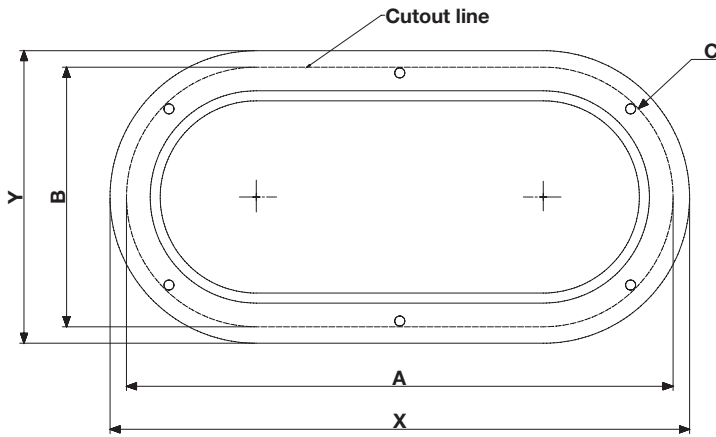
Engine room ventilation			Air inlet area			
A1495-200			26000 mm <sup>3</sup>	8 - 70		1670



Engine room ventilation



Stainless steel reinforcement means that there is a frame on the inside of the acrylic glass that increases the rigidity of the portlight. It also gives the portlight a high-class impression when viewed from the inside.



### Oval Portlight dimension guide

Outer dimensions [mm]	Cut-out dimensions [mm]		
X x Y	A	B	C Radius
403 x 204	381	181	91



Photo: Courtesy of Viknes Boats

## Rectangular Portlights



Stainless steel reinforcement



Opening



Fixed

### Rectangular Portlight 402 x 195 mm

Part no	Glass	Type	Function	Inner frame	Rec. hull thickness [mm]	Depth [mm]	Weight [gr]	Glass Thickness [mm]
A2120-200CH	Tinted	SS reinforcement	Opening	Chrome	8 - 43	14	1810	10
A2120-200OW	Tinted	SS reinforcement	Opening	Off-white	8 - 43	14	1810	10
A2130-200CH	Tinted	SS reinforcement	Opening	Chrome	26 - 55	26	2040	10
A2130-200OW	Tinted	SS reinforcement	Opening	Off-white	26 - 55	26	2040	10

Part no	Glass	Type	Function	Inner frame	Rec. hull thickness [mm]	Depth [mm]	Weight [gr]	Glass Thickness [mm]
A2320-200CH	Tinted	Regular	Opening	Chrome	8 - 43	14	1600	15
A2320-200OW	Tinted	Regular	Opening	Off-white	8 - 43	14	1600	15
A2330-200CH	Tinted	Regular	Opening	Chrome	26 - 55	26	1740	15
A2330-200OW	Tinted	Regular	Opening	Off-white	26 - 55	26	1740	15
A2125-200CH	Tinted	Regular	Fixed	Chrome	8 - 43	14	1940	10
A2125-200OW	Tinted	Regular	Fixed	Off-white	8 - 43	14	1940	10
A2135-200CH	Tinted	Regular	Fixed	Chrome	26 - 55	26	1990	10
A2135-200OW	Tinted	Regular	Fixed	Off-white	26 - 55	26	1990	10



Opening

### Rectangular Portlight 428 x 179 mm

Part no	Glass	Type	Function	Inner frame	Rec. hull thickness [mm]	Depth [mm]	Weight [gr]	Glass Thickness [mm]
A2320-180CH	Tinted	Regular	Opening	Chrome	8 - 43	14	1650	10
A2320-180OW	Tinted	Regular	Opening	Off-white	8 - 43	14	1650	10
A2330-180CH	Tinted	Regular	Opening	Chrome	26 - 55	26	1650	10
A2330-180OW	Tinted	Regular	Opening	Off-white	26 - 55	26	1650	10



Opening

### Rectangular Portlight 700 x 191 mm

Part no	Glass	Type	Function	Inner frame	Rec. hull thickness [mm]	Depth [mm]	Weight [gr]	Glass Thickness [mm]
A2320-190CH	Tinted	Regular	Opening	Chrome	8 - 43	14	2250	10
A2320-190OW	Tinted	Regular	Opening	Off-white	8 - 43	14	2250	10





Opening

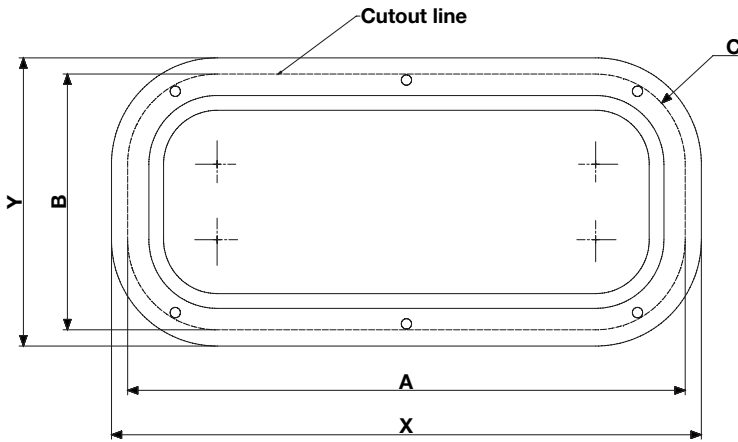


Fixed

### Rectangular Portlight 370 x 164 mm

Part no	Glass	Type	Function	Inner frame	Rec. hull thickness [mm]	Depth [mm]	Weight [gr]	Glass Thickness [mm]
A2320-170RF	Tinted	Regular	Opening	Stainless steel	8 - 20	14	1530	15
A2320-170OW	Tinted	Regular	Opening	Off-white	8 - 46	14	1580	15
A2340-170RF	Tinted	Regular	Opening	Stainless steel	21 - 40	40	1790	15
A2340-170OW	Tinted	Regular	Opening	Off-white	21 - 66	40	1750	15
A2125-170RF	Tinted	Regular	Fixed	Stainless steel	8 - 20	14	1010	10
A2125-170OW	Tinted	Regular	Fixed	Off-white	8 - 43	14	1200	10
A2145-170RF	Tinted	Regular	Fixed	Stainless steel	21 - 40	40	1380	10
A2145-170OW	Tinted	Regular	Fixed	Off-white	28 - 66	40	1450	10

### Rectangular cutout



### Rectangular Portlight dimension guide

Outer dimensions [mm]	Cut-out dimensions [mm]			
	X x Y	A	B	C Radius
370 x 164	347	142	61	
402 x 195	380	173	61	
428 x 179	406	157	61	
700 x 191	678	169	61	



Photo: Courtesy of Chantier Catana

## Elliptical Portlights 450 x 195 mm



Stainless steel reinforcement



Opening



Fixed

### Elliptical Portlight 450 x 195 mm

Part no	Glass	Type	Function	Inner frame	Rec. hull thickness [mm]	Depth [mm]	Weight [gr]	Glass Thickness [mm]
A3120-190RF	Tinted	SS reinforcement	Opening	Stainless steel	8 - 15	15	1850	10
A3120-190CH	Tinted	SS reinforcement	Opening	Chrome	8 - 32	15	1750	10
A3120-190OW	Tinted	SS reinforcement	Opening	Off-white	8 - 32	15	1750	10
A3130-190RF	Tinted	SS reinforcement	Opening	Stainless steel	16 - 27	27	2060	10
A3130-190CH	Tinted	SS reinforcement	Opening	Chrome	27 - 44	27	1950	10
A3130-190OW	Tinted	SS reinforcement	Opening	Off-white	27 - 44	27	1950	10

Part no	Glass	Type	Function	Inner frame	Rec. hull thickness [mm]	Depth [mm]	Weight [gr]	Glass Thickness [mm]
A3320-190RF	Tinted	Regular	Opening	Stainless steel	8 - 15	15	1600	15
A3320-190CH	Tinted	Regular	Opening	Chrome	8 - 32	15	1500	15
A3320-190OW	Tinted	Regular	Opening	Off-white	8 - 32	15	1500	15
A3330-190RF	Tinted	Regular	Opening	Stainless steel	16 - 27	27	1800	15
A3330-190CH	Tinted	Regular	Opening	Chrome	27 - 44	27	1700	15
A3330-190OW	Tinted	Regular	Opening	Off-white	27 - 44	27	1700	15
A3125-190RF	Tinted	Regular	Fixed	Stainless steel	8 - 15	15	1350	10
A3125-190OW	Tinted	Regular	Fixed	Off-white	8 - 32	15	1500	10
A3135-190RF	Tinted	Regular	Fixed	Stainless steel	16 - 27	27	1470	10
A3135-190OW	Tinted	Regular	Fixed	Off-white	27 - 44	27	1750	10

Engine room ventilation			Air inlet area			
A3495-190			21 000 mm <sup>3</sup>	8 - 70		1670



Engine room ventilation



Photo: Courtesy of Elan Boats

## Elliptical Portlights 485 x 225 mm



Stainless steel reinforcement



Opening



Fixed

### Elliptical Portlight 485 x 225 mm

Part no	Glass	Type	Function	Inner frame	Rec. hull thickness [mm]	Depth [mm]	Weight [gr]	Glass Thickness [mm]
A3130-220RF	Tinted	SS reinforcement	Opening	Stainless steel	8 - 27	27	2250	10
A3130-220CH	Tinted	SS reinforcement	Opening	Chrome	8 - 54	27	2250	10
A3130-220OW	Tinted	SS reinforcement	Opening	Off-white	8 - 54	27	2250	10
A3150-220RF	Tinted	SS reinforcement	Opening	Stainless steel	28 - 47	47	2500	10
A3150-220CH	Tinted	SS reinforcement	Opening	Chrome	47 - 67	47	2290	10
A3150-220OW	Tinted	SS reinforcement	Opening	Off-white	47 - 67	47	2290	10

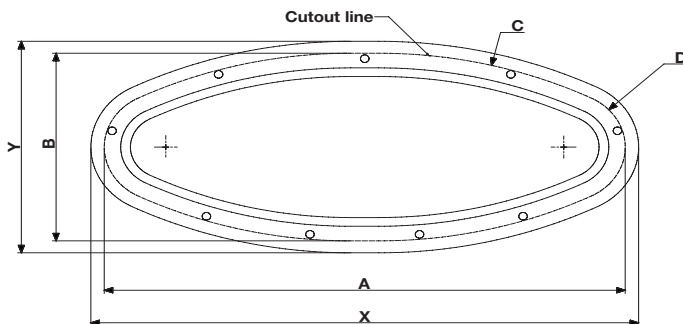
Part no	Glass	Type	Function	Inner frame	Rec. hull thickness [mm]	Depth [mm]	Weight [gr]	Glass Thickness [mm]
A3330-220RF	Tinted	Regular	Opening	Stainless steel	8 - 27	27	1950	15
A3330-220CH	Tinted	Regular	Opening	Chrome	8 - 54	27	1950	15
A3330-220OW	Tinted	Regular	Opening	Off-white	8 - 54	27	1950	15
A3350-220RF	Tinted	Regular	Opening	Stainless steel	28 - 47	47	2050	15
A3350-220CH	Tinted	Regular	Opening	Chrome	47 - 67	47	2050	15
A3350-220OW	Tinted	Regular	Opening	Off-white	47 - 67	47	2050	15
A3135-220RF	Tinted	Regular	Fixed	Stainless steel	8 - 15	27	1700	10
A3155-220RF	Tinted	Regular	Fixed	Stainless steel	28 - 47	47	1850	10

Engine room ventilation	Air inlet area	Weight [gr]
A3395-220	27 500 mm <sup>3</sup>	2100



Engine room ventilation

### Elliptical cutout



### Elliptical Portlight dimension guide

Outer dimensions [mm]	Cut-out dimensions [mm]			
X × Y	A	B	C Radius	D Radius
450 × 195	428	173	389	51
485 × 225	467	205	390	48

## Round Portlights

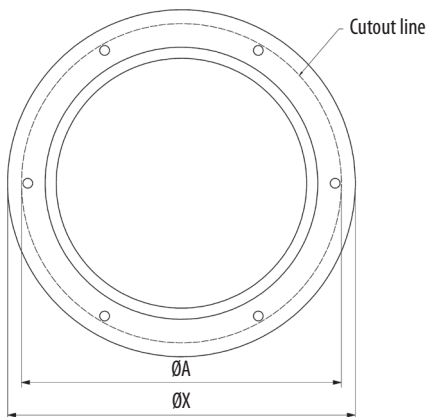


Opening

### Round Portlight 250 mm

Part no	Glass	Type	Function	Inner frame	Rec. hull thickness [mm]	Depth [mm]	Weight [gr]	Glass Thickness [mm]
A4320-250OW	Tinted	Regular	Opening	Off-white	8 - 33	20	2120	15
A4330-250OW	Tinted	Regular	Opening	Off-white	27 - 46	30	2320	15

### Round cutout



### Round Portlight dimension guide

Outer dimensions [mm]	Cut-out dimensions [mm]
X	A
250	230



Photo: Courtesy of Hanse Yacht

## Customised Portlights

Due to our flexible production facilities and knowledgeable staff, there are endless possibilities for customised portlights. Through the years we have produced numerous unique models for boats such as Moody 41, Elan, Storebro and many more (see pictures). It is possible to change shape, colour of the glass, colour of the stainless steel frame or innerframe and constructional alternatives such as the opening mechanism or hinges. We would be happy to discuss any ideas that our customers might have concerning new designs.



Made for Moody - Germany



Made for Paragon - Sweden



Made for Elan - Slovenia



Made for Moody - Germany



Made for Yamarin - Finland



Made for Elan - Slovenia



Made for Bella boats - Finland

## Accessories Portlights



Oval



Rectangular



Elliptical



Round

### Inner frames

Part no	Product description	Function	Inner frame	Size [mm]
A1480-20RF	Oval portlight	Opening	Stainless steel	403 x 204
A1480-20CH	Oval portlight	Opening	Chrome	403 x 204
A1480-20OW	Oval portlight	Opening	Off-white	403 x 204
A1485-20RF	Oval portlight	Fixed	Stainless steel	403 x 204
A1485-20OW	Oval portlight	Fixed	Off-white	403 x 204
A2480-17OW	Rectangular portlight	Opening	Off-white	370 x 164
A2480-17RF	Rectangular portlight	Opening	Stainless steel	370 x 164
A2485-17OW	Rectangular portlight	Fixed	Off-white	370 x 164
A2485-17RF	Rectangular portlight	Fixed	Stainless steel	370 x 164
A2480-18CH	Rectangular portlight	Opening	Chrome	428 x 179
A2480-18OW	Rectangular portlight	Opening	Off-white	428 x 179
A2480-19CH	Rectangular portlight	Opening	Chrome	700 x 191
A2480-19OW	Rectangular portlight	Opening	Off-white	700 x 191
A2480-20CH	Rectangular portlight	Opening	Chrome	402 x 195
A2480-20OW	Rectangular portlight	Opening	Off-white	402 x 195
A2485-20CH	Rectangular portlight	Fixed	Chrome	402 x 195
A2485-20OW	Rectangular portlight	Fixed	Off-white	402 x 195
A3480-19RF	Elliptical portlight	Opening	Stainless steel	450 x 195
A3480-19CH	Elliptical portlight	Opening	Chrome	450 x 195
A3480-19OW	Elliptical portlight	Opening	Off-white	450 x 195
A3480-22RF	Elliptical portlight	Opening	Stainless steel	485 x 225
A3480-22CH	Elliptical portlight	Opening	Chrome	485 x 225
A3480-22OW	Elliptical portlight	Opening	Off-white	485 x 225
A3485-19RF	Elliptical portlight	Fixed	Stainless steel	450 x 195
A3485-19OW	Elliptical portlight	Fixed	Off-white	450 x 195
A3485-22RF	Elliptical portlight	Fixed	Stainless steel	485 x 225
A4480-25OW	Round portlight	Opening	Off-white	250



A3999-199  
A3999-299



A1999-209



A2999-189



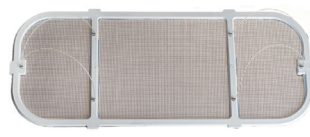
A2999-169  
A2999-179  
A2999-199

### Aluminium Templates

Part no	Product description	Size [mm]
A1999-209	Template Oval Portlight	403 x 204
A2999-169	Template Rectangular Portlight	370 x 164
A2999-179	Template Rectangular Portlight	428 x 179
A2999-189	Template Rectangular Portlight	700 x 191
A2999-199	Template Rectangular Portlight	402 x 195
A3999-199	Template Elliptical Portlight	450 x 195
A3999-229	Template Elliptical Portlight	485 x 225



A1490



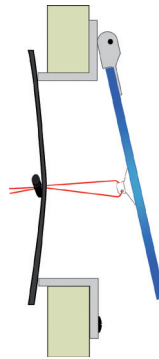
A2490



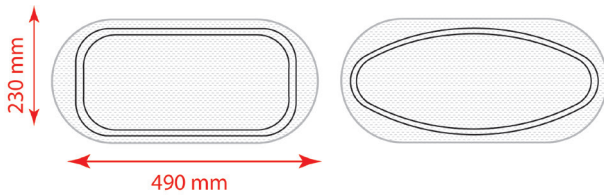
A3492

### Mosquito Net

Part No	Product description	Size [mm]
A1490	Oval Portlight	403 x 204
A2490	Rectangular Portlight	402 x 195
A2497	Rectangular Portlight	370 x 164
A2498	Rectangular Portlight	428 x 179
A2499	Rectangular Portlight	700 x 191
A3492	Elliptical Portlight	485 x 225
A34925	Elliptical Fixed Portlight	485 x 225
A3498	Elliptical Portlight	450 x 195
A34985	Elliptical Fixed Portlight	450 x 195
A4490	Round Portlight	250
A6-001	Universal All Portlights	



A6-001



A1-001



A2-001

### Spare Parts

Part No	Product description
A1-001	Opening knob kit
A2-001	Hinge kit



A1300-200



A2300-200



A3300-220

### Spare acrylic glass

Part no	Product description	Portlight size [mm]	Glass size [mm]	Glass thickness [mm]
A1300-200	Acrylic glass Oval Portlight Tinted	403 x 204	350 x 152	15
A2300-170	Acrylic glass Rectangular Portlight Tinted	370 x 164	315 x 110	15
A2300-180	Acrylic glass Rectangular Portlight Tinted	428 x 179	375 x 125	10
A2300-190	Acrylic glass Rectangular Portlight Tinted	700 x 191	645 x 135	10
A3300-190	Acrylic glass Elliptical Portlight Tinted	450 x 195	400 x 145	15
A2300-200	Acrylic glass Rectangular Portlight Tinted	402 x 195	350 x 145	15
A3300-220	Acrylic glass Elliptical Portlight Tinted	485 x 225	435 x 175	15
A4300-250	Acrylic glass Round Tinted	250	200	15

# HATCHES

## HATCHES

Using the best materials available, stainless steel, acrylic and composite, we offer a stunning range of hatches. There are three ranges with different design and application. The hatch frames have no welded seams to maximise the strength and integrity when confronted with the worst elements at sea. All hatches are CE approved for Area 2a.

Delivery time for our hatches is approximately 4 weeks. For detailed information, please see the specific hatch line.



Rutgerson Rund Classic Hatch

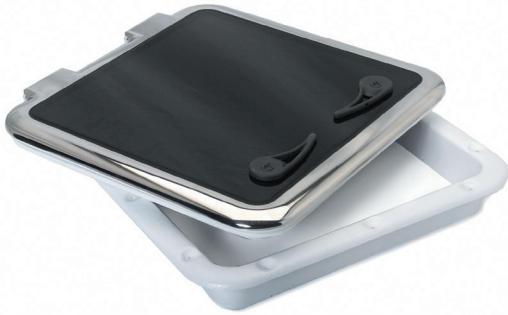


Rutgerson Exclusive Flush Hatch



Photo: Courtesy of Windy Boats





### Classic Hatches

Round Ø500 mm  
Half-round Ø500 mm  
Square 556x556 mm  
Square 456x456 mm  
Rectangular 556x276 mm



### Master Flush Hatches

Square size 10  
Square size 44  
Square size 60



### Exclusive Flush Hatches

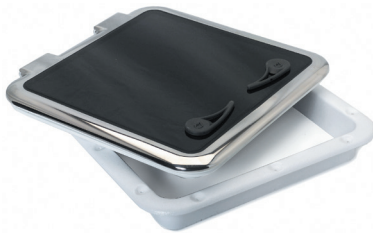
Round Ø500 mm  
Rectangular 200x340 mm  
Square 500x500 mm

# HATCHES

## Classic Hatch Line

Our Classic Hatch Line has an elegant, timeless design due to its seamless construction and mirror-polished frame. The hatch lid combines the highest grade Swedish stainless steel and acrylic glass. The frame is made of an extremely strong, UV-resistant composite material. The classic range is designed to compliment the aesthetics of all types of boats and generate a retro, classy feeling.

The hatches are available in different shapes: Round, square, half-round and rectangular. The thickness of the acrylic glass for the Classic Hatch range is 10mm.



H0111-4403



H0211-5203



H0311-0503



H1111-5503



H0411-2503

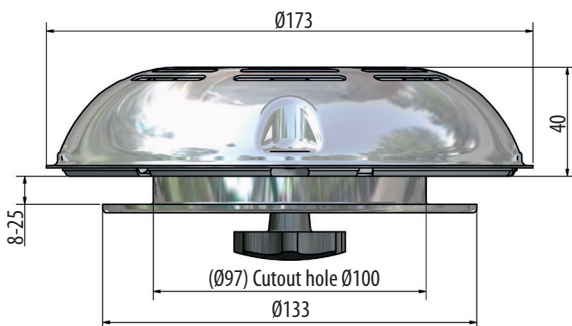


H1311-5503

### Classic Hatch Line

Part No	Product description	Dimension [mm]	Height [mm]	Weight [gr]
H0311-0503	Round hatch	500	27	4200
H1311-0503	Round hatch with air vent	500	27	4700
H0411-2503	Half-round hatch	500	27	3800
H0111-4403	Square hatch	456x456	27	4200
H0111-5503	Square hatch	556x556	27	7000
H1111-4403	Square hatch with air vent	456x456	27	4950
H1111-5503	Square hatch with air vent	556x556	27	7100
H5111-4403	Square hatch with stay	456x456	27	4400
H5111-5503	Square hatch with stay	556x556	27	7500
H0211-5203	Rectangular hatch	276x556	27	4100

## Classic Hatch Accessories

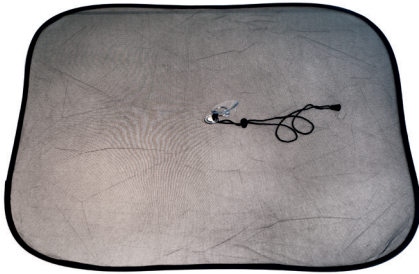


Air vent

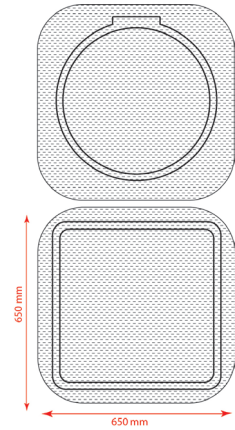
### Air vent

Part no	Diameter [mm]	Height [mm]	Weight [gr]	Air opening [mm <sup>3</sup> ]
H9-170	173	40	655	3580

## Hatch Accessories



H9-001



### Universal Mosquito Net

Part No	Hatch type
H9-001	Universal



H5-001



H5-002

### Accessories for Classic and Exclusive Flush Hatch

Part No	Product description
H2-380	Manual stay part
H5-001	Composite handle, left
H5-002	Composite handle, right
H5-003	Stainless steel outer handle and composite inner handle, left
H5-004	Stainless steel outer handle and composite inner handle, right

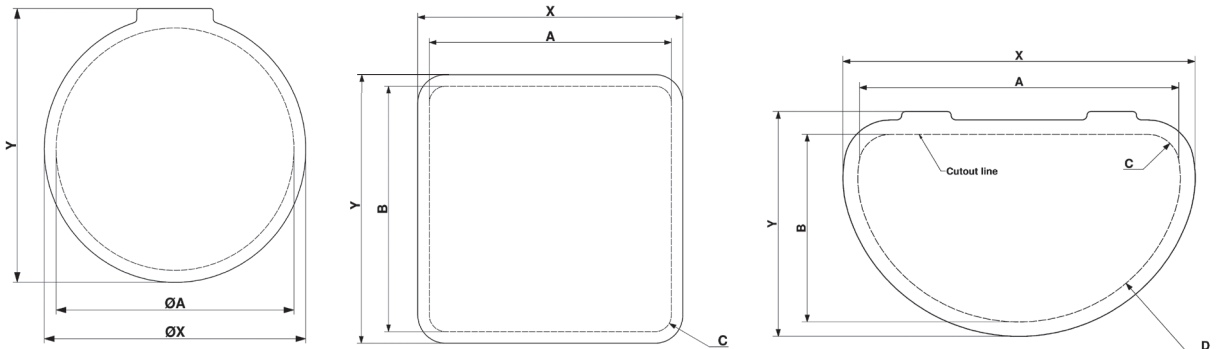


H5-003



H5-004

## Classic Hatches cutout



Shape of hatch	Outer dimensions [mm] X x Y	Cut-out dimensions [mm]			
		A	B	C Radius	D Radius
Round	530 x 545	Ø482	-	-	-
Half-round	570 x 380	522	312	51	265
Square 500x500	556 x 576	508	508	34,5	-
Square 400x400	456 x 476	408	408	34,5	-
Rectangular	556 x 296	508	228	34,5	-

# HATCHES

## Master Flush Hatch Line

The Rutgerson Master Flush hatches are at this stage available in sizes 10, 44 and 60. The Master Line has a modern, trendy design that will give the boat a sporty image. As the name implies, the Master Flush hatch Line is flush but requires a recess on the deck. Once the recess is in place, however, the hatch is incredibly easy to install. The hatches consist of a faced, tinted acrylic glass and a frame made out of a high-tech composite. The handles can either be made of stainless steel or composite.

The combination of clever construction and the unique innovation of a composite frame results in the lightest and most durable hatch yet. The thickness of the acrylic glass for the Master Flush Hatch range is 12mm.

At a later stage size 60 will also be available, which will display the same superior level of performance as our existing hatches.

The Master Flush Line conforms to the CE standards EN ISO 12216:2002, EN ISO 9094-1 and EN ISO 9094-2.



H6000-1415



H4400-1415



H1000-1401

### Master Flush Hatch Line

Part No	Product description	Dimension [mm]	Height [mm]	Weight [gr]	Inner / Outer handles	Stay
H1000-1401	Hatch 10	330x330	31	2810	Composite black	Friction hinges
H1000-1403	Hatch 10	330x330	31	2810	Composite/stainless steel	Friction hinges
H1000-1405	Hatch 10	330x330	31	2810	Stainless steel	Friction hinges
H4400-1411	Hatch 44	512x512	31	5350	Composite black	Manual
H4400-1413	Hatch 44	512x512	31	5350	Composite/stainless steel	Manual
H4400-1415	Hatch 44	512x512	31	5350	Stainless steel	Manual
H6000-1411	Hatch 60	577x577	31	7400	Composite black	2xManual
H6000-1413	Hatch 60	577x577	31	7400	Composite/Stainless steel	2xManual
H6000-1415	Hatch 60	577x577	31	7400	Stainless steel	2xManual



H8-001

H8-004

H8-003

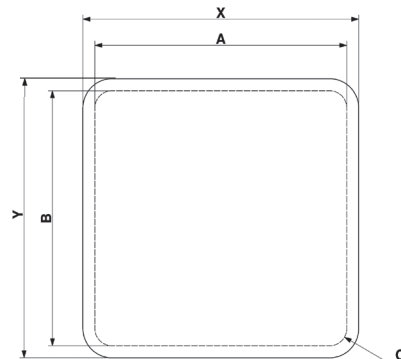
H8-002

### Accessories for Master Flush Hatch

Part No	Product description
H8-001	Stainless steel handle, left
H8-002	Stainless steel handle*, left
H8-003	Stainless steel handle*, right
H8-004	Stainless steel handle, right
H8-007	Manual stay spare part

\* With stay attachment

### Master Flush Hatch cutout



Shape of hatch	Outer dimensions [mm] X x Y	Cut-out dimensions [mm]		
		A	B	C Radius
Square size 10	330 x 330	260	260	42,5
Square size 44	512 x 512	442	442	42
Square size 60	577 x 577	506	506	40

## Exclusive Flush Hatch Line

The Exclusive Flush hatch is the most luxurious hatch that you will find on the market. It is completely unique due to its stainless steel frame. This model is completely flushed against the deck, giving the boat a smooth and streamlined impression.

The boat designer can optimise the total construction of the deck due to the flush hatches' draining system, which is incorporated into the frame. Another unique aspect of this hatch is that the drainage hole is covered by a screen to prevent dirt from clogging up the drainage pipe.

The exclusive flush hatch does not require a recess on deck for installation. This is a very flexible solution, and it is possible to offer this model as a more luxurious option to the customer.

The flush hatch comes in two versions, one that suits teak-wooded decks and another for glass reinforced polyester decks. The different sizes are 200x340mm, 500x500mm and a round hatch with the diameter 500mm. These factors offer the customer the opportunity to choose a hatch that matches the boat perfectly. The thickness of the acrylic glass for the Exclusive Flush Hatch range is 15mm.

Rutgerson Flush Hatch Line conforms to the CE standards EN ISO 12216:2002 and EN ISO 9094-1 & 2



HF7111-2300



HF7111-5500



HF7311-0500

### Exclusive Flush Hatch Line

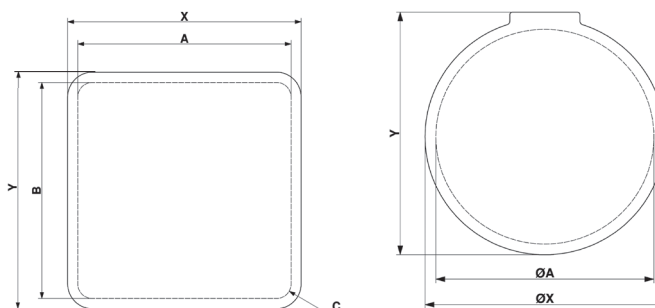
Part No	Product description	Dimension [mm]	Height [mm]	Weight [gr]	Stay
HF6111-2300	Rectangular hatch teak deck	200x340	1.5	5000	Gas
HF7111-2300	Rectangular hatch GRP* deck	200x340	1.5	5000	Gas
HF6111-5500	Square hatch teak deck	500x500	1.5	9500	Gas
HF7111-5500	Square hatch GRP deck	500x500	1.5	9500	Gas
HF6311-0500	Round hatch teak deck	500	1.5	9500	Gas
HF7311-0500	Round hatch GRP deck	500	1.5	9500	Gas

\* Glass reinforced polyester

### Core benefits

- Does not require a recess on the deck or change in the mold for installation. Just cut out the hole.

### Exclusive Flush Hatch cutout



Shape of hatch	Outer dimensions [mm]	Cut-out dimensions [mm]		
	X x Y	A	B	C Radius
Round	Ø610	Ø590	-	-
Rectangular	454 x 309	435	290	100
Square 500x500	614 x 614	595	595	99,5

## BLOCKS

The Rutgerson block assortment is unique in its design and functionality. The key to its success is that both the sheave and the cheeks are produced from a high-tech composite material of such a great strength that no stainless steel reinforcement is needed. Consequently, the overall weight is dramatically reduced. The new material has "smooth touch" properties and the work load is clearly marked in order to avoid uncertainty.

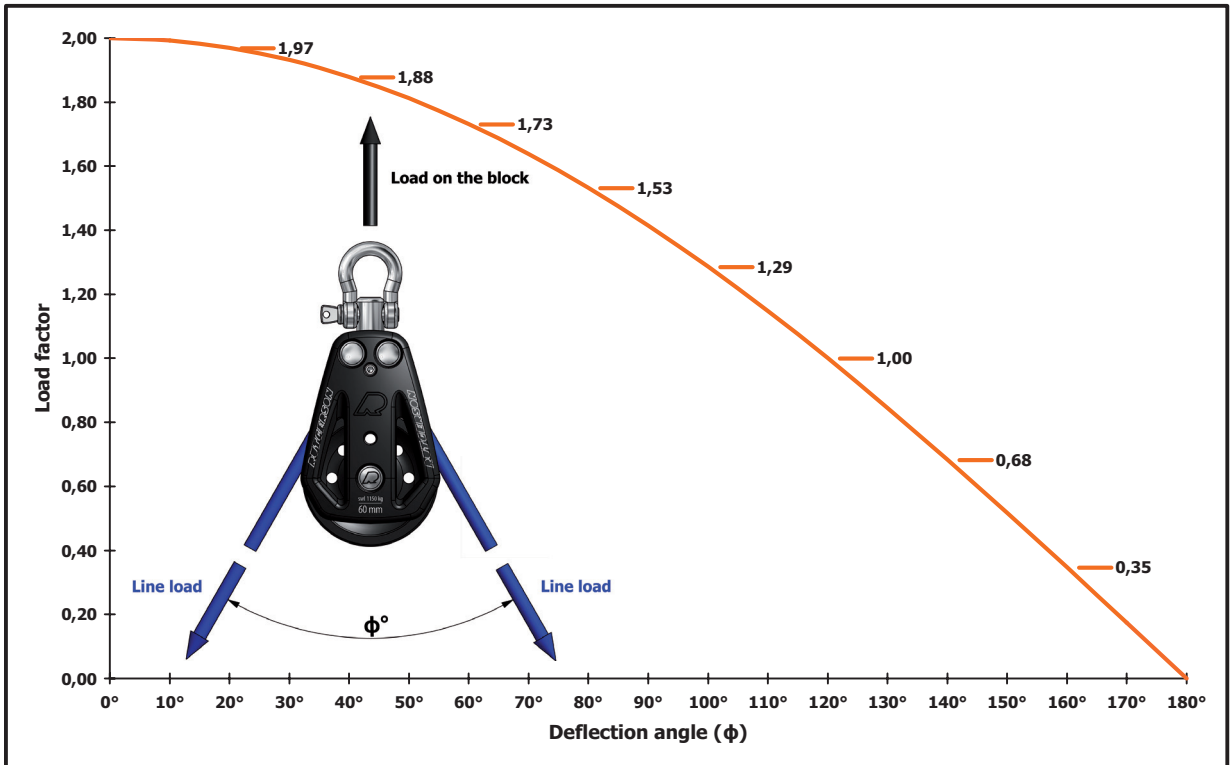
Spherical plain bearings are used for our assortment, which render the blocks very strong and completely maintenance free. Plain bearings will never deform under static high loads like ball bearings and our blocks do not require the initial excess of power for the sheave to start moving, which is a common problem with ball bearing blocks.

The entire production chain takes place at our premises in Marstrand. In-house sailing experience together with advanced engineering ensures that you can rely on our blocks in all weather conditions! They are incredibly versatile as they are suitable for both inshore and offshore sailing, ranging from dinghies to racing yachts. They can also easily be adapted to your needs and your boat due to a range of different fastening alternatives.

The Rutgerson wire block assortment has a vast range of application areas and can take loads up to six tons. They are made of Swedish high-grade stainless steel of the highest quality available. The blocks have been optimised for wires. The blocks have an elegant design and are completely maintenance free. The wire blocks are perfect as for example back stay adjusters.

At Rutgerson we demand total reliability from all our products.





### How to calculate the load on your block

The block load is determined by the angle and pulling force from the line. If the force is coming from the direct opposite side of the attachment point of the block, then the load factor will be 200%. So if you have 100 kg of force in the lines and the angle  $\Phi$  between them is  $0^\circ$  then the block load will be 200 kg. And if the line force is 150 kg and the angle is  $100^\circ$  then the block load will be 194 kg ( $150\text{kg} * 1,29 = 193,4$ ). Knowing this you just have to make sure you buy a block with a higher safe working load (see block specification).



## 35mm Block



B300301B



B300302B



B300303B



B300304B



B300305B



B300321B



B300322B



B300323B



B300324B



B300371B



B300372B



B300381B



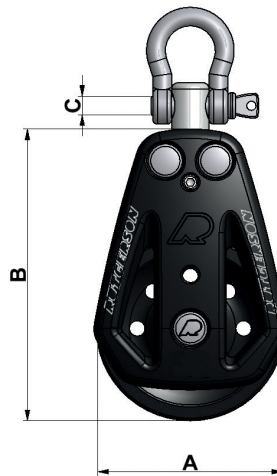
B300382B



B300383B



B300384B



### Core benefits

- High-tech composite material
- Spherical plain bearings
- Large range
- Extensive range of fastening alternatives
- Adjustable clam cleats
- For rope diameters of 3-8mm

### Black line 35 mm

Part no	Product description	A			B		C		Rope diameter [mm]	Weight [gr]
		Sheave Ø [mm]	Length [mm]	Shackle pin Ø [mm]	Safe working load [kg]	Breaking load [kg]				
B300301B	Single	35	55	4	450	850	3 - 8	50		
B300302B	Single w bucket	35	75	4	450	850	3 - 8	56		
B300303B	Single w cam	35	55	4	450	850	3 - 7	100		
B300304B	Single w cam & bucket	35	75	4	450	850	3 - 7	110		
B300305B	Single w strap head	35	55	-	450	850	3 - 8	35		
B300321B	Fiddle	35/20	80	4	450	850	3 - 8	62		
B300322B	Fiddle w bucket	35/20	100	4	450	850	3 - 8	70		
B300323B	Fiddle w cam	35/20	80	4	450	850	3 - 7	113		
B300324B	Fiddle w cam & bucket	35/20	100	4	450	850	3 - 7	121		
B300371B	Double	35	55	5	450	850	3 - 8	91		
B300372B	Double w bucket	35	75	5	450	850	3 - 8	98		
B300381B	Triple	35	55	4	450	850	3 - 8	100		
B300382B	Triple w bucket	35	75	4	450	850	3 - 8	107		
B300383B	Triple w cam	35	55	4	450	850	3 - 7	153		
B300384B	Triple w cam & bucket	35	75	4	450	850	3 - 7	160		

Maximum load of cams is 100 kg





B700301

### Core benefits

- Best quality stainless steel
- Numerous sizes
- Elegant design
- For wire diameters of 3mm

### Wire Block

Part no	Product description	A	B	C	Safe working load [kg]	Breaking load [kg]	Wire diameter [mm]	Weight [gr]
		Sheave Ø [mm]	Length [mm]	Pin Ø [mm]				
B700301	Wire block	35	63	6	600	1200	3	58



B300344B



B300345B



B300346B

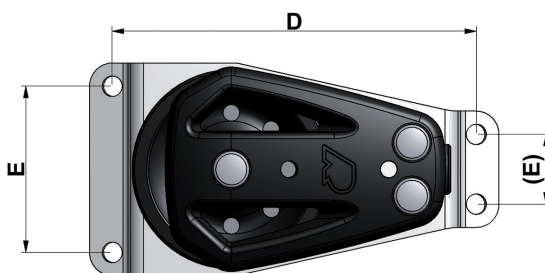
### Cheek blocks

Part no	Product description	A	D	E	Safe working load [kg]	Breaking load [kg]	Rope diameter [mm]	Weight [gr]
		Sheave Ø [mm]	Length [mm]	Width [mm]				
B300344B	Cheek block flat plate	35	50	48	450	850	3 - 8	70
B300345B	Cheek block horizontal plate <sup>1</sup>	35	74	20/37	450	850	3 - 8	70
B300346B	Cheek block curved plate <sup>2</sup>	35	50	44	450	850	3 - 8	70

M5 mounting screws

<sup>1</sup> Recommended profile radius 190 - 400mm

<sup>2</sup> Recommended profile radius 30 - 50mm



## 50mm Block



B300501B



B300502B



B300503B



B300504B



B300505B



B300521B



B300522B



B300523B



B300524B



B300571B



B300572B



B300581B



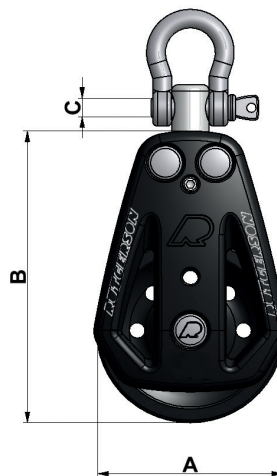
B300582B



B300583B



B300584B



### Core benefits

- High-tech composite material
- Spherical plain bearings
- Large range
- Extensive range of fastening alternatives
- Adjustable clam cleats
- For rope diameters of 4-12mm

### Black line 50mm

Part no	Product description	A	B	C	Sheave Ø [mm]	Length [mm]	Shackle pin Ø [mm]	Safe working load [kg]	Breaking load [kg]	Rope diameter [mm]	Weight [gr]
B300501B	Single		80	5	50	80	5	700	1250	4 - 12	116
B300502B	Single w becket		100	5	50	100	5	700	1250	4 - 12	127
B300503B	Single w cam		80	5	50	80	5	700	1250	6 - 10	220
B300504B	Single w cam & becket		100	5	50	100	5	700	1250	6 - 10	231
B300505B	Single w strap head		80	-	50	80	-	700	1250	4 - 12	80
B300521B	Fiddle		118	5	50/25	118	5	700	1250	4 - 12	132
B300522B	Fiddle w becket		139	5	50/25	139	5	700	1250	4 - 12	163
B300523B	Fiddle w cam		118	5	50/25	118	5	700	1250	6 - 10	232
B300524B	Fiddle w cam & becket		139	5	50/25	139	5	700	1250	6 - 10	270
B300571B	Double		80	6	50	80	6	700	1250	4 - 12	226
B300572B	Double w becket		100	6	50	100	6	700	1250	4 - 12	236
B300581B	Triple		80	5	50	80	5	700	1250	4 - 12	205
B300582B	Triple w becket		100	5	50	100	5	700	1250	4 - 12	225
B300583B	Triple w cam		80	5	50	80	5	700	1250	6 - 10	300
B300584B	Triple w cam & becket		100	5	50	100	5	700	1250	6 - 10	310

Maximum load of cams is 160 kg



B700501

### Core benefits

- Best quality stainless steel
- Numerous sizes
- Elegant design
- For wire diameters of 4-5mm

### Wire Block

Part no	Product description	A	B	C	Safe working load [kg]	Breaking load [kg]	Wire diameter [mm]	Weight [gr]
		Sheave Ø [mm]	Length [mm]	Pin Ø [mm]				
B700501	Wire block	50	75	8	1000	2000	4-5	113



B300544B



B300545B



B300546B

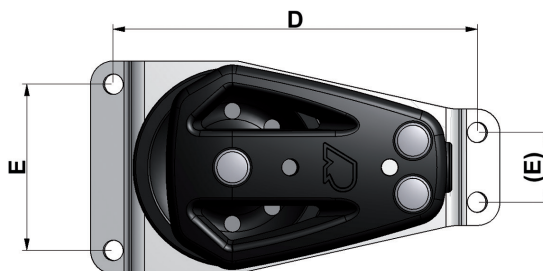
### Cheek blocks

Part no	Product description	A	D	E	Safe working load [kg]	Breaking load [kg]	Rope diameter [mm]	Weight [gr]
		Sheave Ø [mm]	Length [mm]	Width [mm]				
B300544B	Cheek block flat plate	50	80	45	700	1250	4-12	133
B300545B	Cheek block horizontal plate <sup>1</sup>	50	94	40/16	700	1250	4-12	133
B300546B	Cheek block curved plate <sup>2</sup>	50	79	45	700	1250	4-12	133

M5 mounting screws

<sup>1</sup> Recommended profile radius 190 - 400mm

<sup>2</sup> Recommended profile radius 30 - 50mm



## 60mm Block



B300601B



B300602B



B300603B



B300604B



B300605B



B300621B



B300622B



B300623B



B300624B



B300671B



B300672B



B300681B



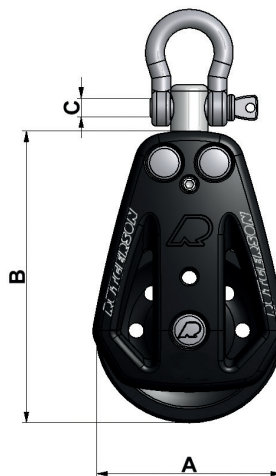
B300682B



B300683B



B300684B



### Core benefits

- High-tech composite material
- Spherical plain bearings
- Large range
- Extensive range of fastening alternatives
- Adjustable clam cleats
- For rope diameters of 6-14mm

### Black line 60mm

Part no	Product description	A			B		C	
		Sheave Ø [mm]	Length [mm]	Shackle pin Ø [mm]	Safe working load [kg]	Breaking load [kg]	Rope diameter [mm]	Weight [gr]
B300601B	Single	60	94	6	1150	2100	6 - 14	205
B300602B	Single w becket	60	118	6	1150	2100	6 - 14	220
B300603B	Single w cam	60	94	6	1150	2100	8 - 14	305
B300604B	Single w cam & becket	60	118	6	1150	2100	8 - 14	320
B300605B	Single w strap head	60	94	-	1150	2100	6 - 14	154
B300621B	Fiddle	60/35	142	6	1150	2100	6 - 14	265
B300622B	Fiddle w becket	60/35	164	6	1150	2100	6 - 14	279
B300623B	Fiddle w cam	60/35	142	6	1150	2100	8 - 14	370
B300624B	Fiddle w cam & becket	60/35	164	6	1150	2100	8 - 14	375
B300671B	Double	60	94	8	1150	2100	6 - 14	350
B300672B	Double w becket	60	118	8	1150	2100	6 - 14	360
B300681B	Triple	60	94	6	1150	2100	6 - 14	390
B300682B	Triple w becket	60	118	6	1150	2100	6 - 14	404
B300683B	Triple w cam	60	94	6	1150	2100	8 - 14	490
B300684B	Triple w cam & becket	60	118	6	1150	2100	8 - 14	500

Maximum load of cams is 200 kg



B700601

### Core benefits

- Best quality stainless steel
- Numerous sizes
- Elegant design
- For wire diameters of 6-7mm

Wire Block		A	B	C				
Part no	Product description	Sheave Ø [mm]	Length [mm]	Pin Ø [mm]	Safe working load [kg]	Breaking load [kg]	Wire diameter [mm]	Weight [gr]
B700601	Wire block	60	93	8	1500	3000	6 - 7	175



B300644B



B300645B



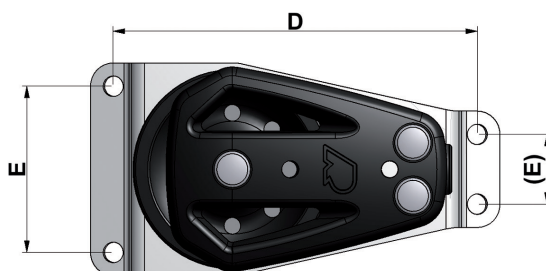
B300646B

Cheek blocks		A	D	E				
Part no	Product description	Sheave Ø [mm]	Length [mm]	Width [mm]	Safe working load [kg]	Breaking load [kg]	Rope diameter [mm]	Weight [gr]
B300644B	Cheek block flat plate	60	98	57	800	1600	6 - 14	240
B300645B	Cheek block horizontal plate <sup>1</sup>	60	110	50/21	800	1600	6 - 14	240
B300646B	Cheek block curved plate <sup>2</sup>	60	97	55	800	1600	6 - 14	240

M5 mounting screws

<sup>1</sup> Recommended profile radius 190 - 400mm

<sup>2</sup> Recommended profile radius 30 - 50mm



## 80mm Block



B300801B



B300802B



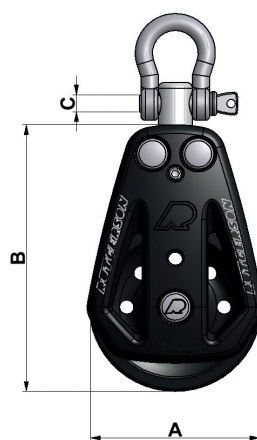
B300805B



B300821B



B300822B



### Core benefits

- High-tech composite material
- Spherical plain bearings
- Large range
- Extensive range of fastening alternatives
- For rope diameters of 10-16mm

### Black line 80 mm

Part no	Product description	Sheave Ø [mm]	Length [mm]	Shackle pin Ø [mm]	Safe working load [kg]	Breaking load [kg]	Rope diameter [mm]	Weight [gr]
B300801B	Single	80	130	10	2000	3600	10 - 16	557
B300802B	Single with becket	80	165	10	2000	3600	10 - 16	588
B300805B	Single webbing	80	130	-	2000	3600	10 - 16	333
B300821B	Fiddle	80/50	195	10	2000	3600	10 - 16	744
B300822B	Fiddle with becket	80/50	225	10	2000	3600	10 - 16	750



B700801

### Core benefits

- Best quality stainless steel
- Numerous sizes
- Elegant design
- For wire diameters of 8-12mm

### Wire Block

Part no	Product description	Sheave Ø [mm]	Length [mm]	Pin Ø [mm]	Safe working load [kg]	Breaking load [kg]	Wire diameter [mm]	Weight [gr]
B700801	Wire block	80	120	10	2750	5500	8	343
B700101	Wire block	100	150	14	4000	8000	10	685
B700121	Wire block	120	180	16	6000	12000	12	1135

## Toggle-head blocks



Fixed toggle-head 12



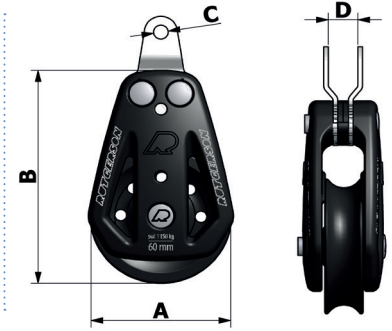
Fixed toggle-head 14



Toggle-head 12



Toggle-head 14



### Toggle-head fastening

Part no	Product description	A	B	C	D	Safe working load [kg]	Breaking load [kg]	Rope diameter [mm]	Weight [gr]
		Sheave Ø [mm]	Length [mm]	Pin Ø [mm]	Fork width [mm]				
B300301BF	Fixed Toggle-head block 35	35	55	6	12	380	700	3 - 8	54
B300501BF12	Fixed Toggle-head block 50	50	80	6	12	700	1250	4 - 12	111
B300501BF14	Fixed Toggle-head block 50	50	80	8	14	700	1250	4 - 12	120
B300601BF12	Fixed Toggle-head block 60	60	94	6	12	850	1540	6 - 14	183
B300601BF14	Fixed Toggle-head block 60	60	94	8	14	850	1540	6 - 14	190
B300801BF	Fixed Toggle-head block 80	80	130	8	14	1430	2600	10 - 16	390
B300301BT	Toggle-head block 35	35	55	6	12	380	700	3 - 8	61
B300501BT12	Toggle-head block 50	50	80	6	12	700	1250	4 - 12	124
B300501BT14	Toggle-head block 50	50	80	8	14	700	1250	4 - 12	130
B300601BT12	Toggle-head block 60	60	94	6	12	850	1540	6 - 14	210
B300601BT14	Toggle-head block 60	60	94	8	14	850	1540	6 - 14	270
B300801BT	Toggle-head block 80	80	130	8	14	1430	2600	10 - 16	424

## Block Accessories



### Snap Shackle fastening

Part no	Product description	A	Safe working load [kg]	Breaking load [kg]
		Sheave Ø [mm]		
B3003XXBS	Snap Shackle block 35	35	300	550
B3005XXBS	Snap Shackle block 50	50	500	900
B3006XXBS	Snap Shackle block 60	60	750	1700
B3008XXBS	Snap Shackle block 80	80	1500	2700

The black line blocks from Rutgerson are available with snap shackles. Simply add the ending S to the standard block article number. For example B300501BS.

Note that the safe working load and breaking load differ when the block is fitted with a snap shackle.



### Stand Ups

Part no	Product description	Weight
B600543	Rubber Cone + plate for 50mm	85
B600643	Rubber Cone + plate for 60mm	85
B600843	Rubber Cone + plate for 80mm	166

Stand-ups are suitable for blocks with a standard shackle and are commonly used for tackles or by the mastbase



### Mainsheet tackles and lines

Part no	Product description	System purchase	Block size [mm]	Rope Ø [mm]
B320520B	Mainsheet tackle 20m	4:1	50	8
B320620B	Mainsheet tackle 25m	4:1	60	10
B320680B	Mainsheet tackle 35m	6:1	60	10
E050608	Control Line 2x8 m	-	-	6



### Chafe Covers

Part no	Product description
B600550	Plastic cone White
B600551	Plastic cone Black

## ROC BLOCK 100

Rutgerson proudly presents a new innovative block range, The ROC Block. This is a new block series with aluminium sides, aluminium sheave and an innovative roller-bearing system. The most innovative aspect of this bearing concept is that no side bearings are needed. The advantage with rollers instead of ball bearings is that the force is spread over a larger area, which means that the bearings will not deform during high loads. Due to this bearing concept, the ROC Block will be very competitive on the market. The shackle is forged and the block is available with a stand-up fitting. The first model of the ROC blocks has a 100 mm sheave and has a safe working load of 3,5tons. Two more models, 80mm and 120mm, will soon be added to the range.

This innovation, like our other products, are made in our factory in Marstrand, Sweden, like they have been for 40 years. ROC stands for Roller-bearing Original Concept to underline the fact that it is an original design by Rutgerson but we think the name is suitable since it is strong as a rock.

Part No	Product description	Sheave mm	Length mm	Shackle pin mm	Safe working load kg	Max rope diameter mm
B401001	ROC Block	100	198	10	3500	16





## FOOT BLOCKS

Footblocks are a vital part of the deck equipment as they must be able to take very high loads. In fact, the loads imposed on footblocks are among the highest that a running rigging can generate. Due to the construction and solid materials of Rutgerson footblocks, the load to size ratio is among the best on the market.

Spherical plain bearings that are typical for Rutgerson blocks outperform ball-bearings constantly and this is also true for our footblocks. Due to the plain bearing construction, all our blocks are also maintenance free. Another important advantage is the fact that they are stackable and reversible in order to maximise efficiency.

The footblock assortment is divided into two ranges, anodised aluminium sides and high-tech composite sides.



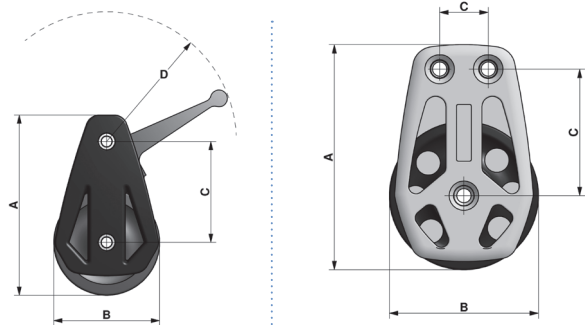
### Footblocks

Part no	Product description	A	B	C	D	Sides and sheaves	Safe working load [kg]	Breaking load [kg]
		Length [mm]	Sheave Ø [mm]	Hole spacing [mm]	Jammer radius [mm]			
B300041B	Footblock 40 single	82	40	49	-	Composite	600	1200
B319040B	Footblock 40 single with jammer	82	40	49	77	Composite	600	1200
B300061B	Footblock 60 single	107	60	60	-	Composite	750	1500
B319060B	Footblock 60 single with jammer	107	60	60	77	Composite	750	1500
B300081B	Footblock 80 single	130	80	74 x 19	-	Composite	1500	3000
B309081	Footblock 80 single	130	80	74 x 28	-	Aluminium	2980	4200
B309082	Footblock 80 double	130	80	74 x 28	-	Aluminium	2980*	4200
B309101	Footblock 100 single	169	100	102 x 34	-	Aluminium	3900	8000

40 and 60 mm footblocks are stackable - \*The upper block when stacked or double has half the SWL / BL  
Maximum holding load of the jammer 300 kg

### Footblocks

Part no	Rope diameter [mm]	Bolts	Weight [gr]
B300041B	4 - 12	2 x M6	96
B319040B	4 - 12	2 x M6	126
B300061B	8 - 14	2 x M6	162
B319060B	8 - 14	2 x M6	192
B300081B	10 - 18	2 x M6, 1 x M8	267
B309081	10 - 18	3 x M8	550
B309082	10 - 18	3 x M8	871
B309101	12 - 20	3 x M10	807



## DECK BLOCKS

Rutgerson has developed two models of deck blocks, one is installed on top of the roof and the other is installed in the cockpit in order to lead the line.

This block range was developed for the boat brand Sense, but it is applicable for a wide range of boats and applications.

The blocks are made of anodized aluminium and a 50mm aluminium sheave with a kevlar reinforced bearing. This allows the block to reach a breaking load over 3 tons. The rope dimensions are 8-14 mm.



Part No	Product description	Height [mm]	Width [mm]	Length [mm]	Safe working Load [kg]	Weight [gr]	Hole spacing [mm]
B309500BR	Top roof blocks, 50mm	69	30	84	1800	192	50 and 65
B309501BR	Bottom roof blocks, 50mm	72	30	70	1800	216	55

## VIKING SERIES ROPE CLUTCHES

### Rope Clutch RC75X and RC120X

Rutgerson rope clutches can take much higher loads than equivalent sizes of other manufacturers on the market due to a unique combination of clever construction and high-quality materials. The housing is made of a black high-tech composite of high strength, whereas the other parts are made of either anodized aluminium or stainless steel. You will find that the handling of the lines much easier with Rutgerson rope clutches. This is because it is the only rope clutch on the market fitted with an integrated low-friction sheave, which ensures that the rope runs smoothly – both when winching and when hauling by hand. Naturally, the clutch allows continued trimming of the rope even when it is in a locked position. The maximum load for the RC75X is 750kgs and it can take rope dimensions of 8-12mm.

The RC120X has been developed especially for modern types rope such as Lycra and Dyneema. The handle is equipped with a revolutionary needle-bearing, which gives the RC120X a performance that was unthinkable before. The new handle has a built-in friction function that ensures that the handle stays in one position, open or closed. Releasing the desired load requires little effort, even during very heavy loads. It is also possible to quickly and without effort close the rope clutch. The maximum load for the RC120X is 1200kgs and it can take rope dimensions of 10-16mm.



S600701



S600702



S600703



S600705

#### Rope clutches RC75X

Part No	Product description	Height [mm]	Width [mm]	Length [mm]	Max load [kg]	Rope dimensions [mm]	Hole spacing [mm]	Weight [gr]
S600701	Single rope clutch RC75X	70	39	139	750	8 - 12	79 (M6 bolts)	352
S600702	Double rope clutch RC75X	70	66	139	750	8 - 12	79 x 27,5 (M6 bolts)	618
S600703	Triple rope clutch RC75X	70	94	139	750	8 - 12	79 x 27,5 (M6 bolts)	894
S600705	Rope clutch RC75X Sunits	70	154	139	750	8 - 12	79 x 27,5 (M6 bolts)	1400



S601201



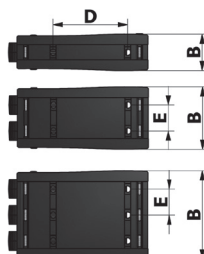
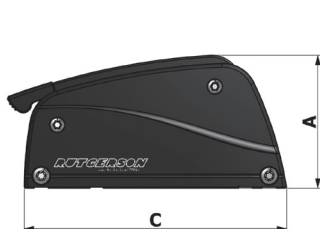
S601202



S601203

#### Rope clutch RC120X

Part No	Product description	Height [mm]	Width [mm]	Length [mm]	Max load [kg]	Rope dimensions [mm]	Hole spacing [mm]	Weight [gr]
S601201	Single rope clutch RC120X	81	41	160	1200	10-16	70 and 85 (M6 bolts)	624
S601202	Double rope clutch RC120X	81	73	160	1200	10-16	70 x 32 and 85x32 (M6 bolts)	1119
S601203	Triple rope clutch RC120X	81	105	160	1200	10-16	70 x 32 and 85x32 (M6 bolts)	1621



#### Core benefits

- Superior working load
- Easy and clever installation
- Elegant design
- Minimum friction

## ROPE CLUTCH RC2000

The largest rope clutch of the Viking Series has the most innovative design yet and is completely unique on the market. It has been developed to take extreme loads up to 2 tons with minimal effect on the rope. Despite the high loads the handle is incredibly smooth to release, you can lift it with one finger!

The housing is made of black anodised aluminium and the handle comes in either polished aluminium or mirror-polished stainless steel for a sleek, modern look.

**Warning: The bigger rope clutches are developed to release the load easily, so make sure when releasing high loads not to keep your hands close to the rope entrance. Always put the line back on the winch before releasing the load for a safe rope handling.**



### Rope clutch RC2000

Part No	Product description	Height [mm]	Width [mm]	Length [mm]	Max load [kg]	Rope dimensions [mm]	Hole spacing [mm]	Weight [gr]
S602001	Single rope clutch RC2000	101	43	200	2000	8-14	140	1200

## Rope Clutch Accessories



S600001



S600010



S600015



S600020



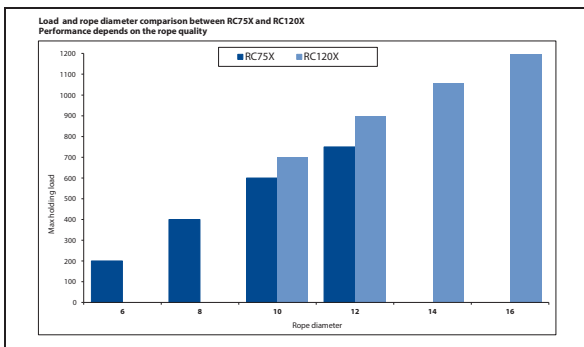
S600025



S601027



T609006



### Rope clutch accessories

Part No	Product description
S600001	Rope clutch labels
S600015	Replacement handle RC75X
S600010	Spring package for RC75X / RC750HPX
S600020	Sheave for RC75X / RC120X
S600025	Cam for RC75X / RC750HPX
S601027	Spring package for RC120X / RC1000HPX
T609006	Sealant washer

### How to choose rope clutches

Which rope clutch you need depends on the needed maximal load capacity, the rope diameter and the quality of the rope. The test for the diagram below has been made with standard polyester ropes.

## DECK FILLERS

Rutgerson proudly presents a new assortment of Deck fillers. The range includes deck fillers for Diesel, Petrol, Waste in two dimensions, Water and Deck Access. As usual, Rutgerson's new products bring something new and innovative to the market and in this case a unique link system. The link is made of the same material as cable ties, which is extremely strong compared to other composite materials. It is constructed so that it is incredibly easy to replace without any work from the inside, but just from the deck. The deck fillers are colour-coded in order to facilitate the distinction between different deck fillers. The design with high grade stainless steel and high tech composite is much more corrosion resistant compared to other solutions on the market such as casted steel. Furthermore, due to a different opening solution than the traditional thread (except for waste), it is very quick to open. Just turn it 90 degrees using a winch handle or a key and the cap is free. The deck fillers for waste correspond to the standard ISO 8099.



### Deck fillers

Part No	Product description	A Outer diameter mm	B Height mm	C For hose mm	D Cutout mm	E Screw hole position mm	F Angle mm	Screw holes
CL038DIE	Diesel 38	Ø85	82	Ø38	Ø57	Ø72	120° (3x)	Ø4,5 (3x)
CL038PET	Petrol 38	Ø85	82	Ø38	Ø57	Ø72	120° (3x)	Ø4,5 (3x)
CL054DIE	Diesel 54	Ø85	90	Ø54	Ø57	Ø72	120° (3x)	Ø4,5 (3x)
CL054PET	Petrol 54	Ø85	90	Ø54	Ø57	Ø72	120° (3x)	Ø4,5 (3x)
CL038WAS	Waste 38*	Ø85	130	Ø38	Ø57	Ø72	120° (3x)	Ø4,5 (3x)
CL050WAS	Waste 50*	Ø85	130	Ø50	Ø57	Ø72	120° (3x)	Ø4,5 (3x)
CL038WAT	Water 38	Ø85	82	Ø38	Ø57	Ø72	120° (3x)	Ø4,5 (3x)
CL098ACC	Deck Access	Ø132	39	n/a	Ø101	Ø114,5	60° (6x)	Ø4,5 (6x)

\* In compliance with ISO 8099 standards



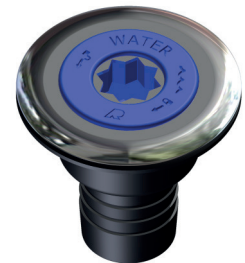
Petrol



Diesel



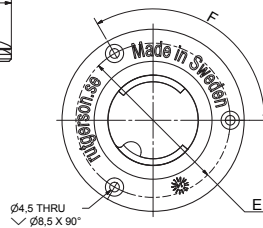
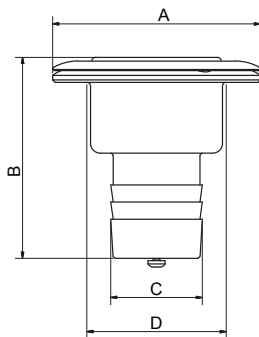
Waste



Water



Deck Access



### Spare parts

Part No	Product description
CLKEY	Deck Filler Key
CLCACC	Top part for Deck Access
CLCDIE	Top part for Diesel, 54 mm
CLCPET	Top part for Petrol, 54 mm
CLCWAS	Top part for Waste
CLCWAT	Top part for Water
CLLINK	Standard link for Deck Fillers

## PADEYES

The Rutgerson padeyes have an incredibly elegant and stream-lined design – a jewel on your deck! They are made of high quality stainless steel. The padeyes are excellent for mounting blocks on deck or as attachment points for safety lines, staysails, reefing blocks, jibe preventors and many other application areas.

Flexibility is the main characteristic of Rutgerson padeyes as they can be mounted practically anywhere and can take very heavy loads. Additionally, they come in three different sizes for maximum use. They adjust themselves to the angle of the load and fold down when they are without load in order to minimize the risk of hurting the crew and equipment.



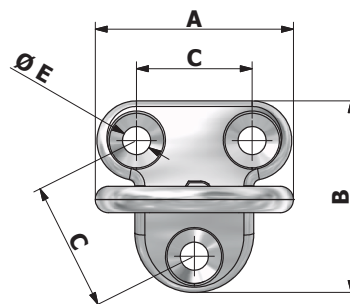
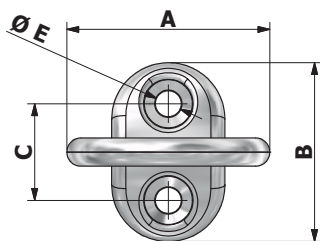
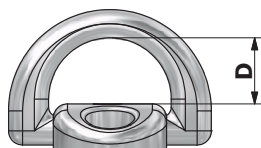
Rutgerson padeyes correspond to the declaration of "Man overboard prevention" SS-EN ISO 15085:2003.

### Core benefits

- Wide range of application areas
- Very high working load
- Stream-lined for aesthetic and practical reasons

### Padeyes

Part no	Product description	A [mm]	B [mm]	C [mm]	D [mm]	Ø E [mm]	Safe working load [kg]	Breaking load [kg]	Weight [gr]
E030010S	Padeye 14	43	40	23	14	5.5	850	1500	66
E030020S	Padeye 17	45	39	27	16	6.5	1100	2200	75
E030030S	Padeye 20	60	58	35	21	8,5	1750	3500	184



## Stainless steel fittings

### Snap Shackle

A snap shackle is a fast action fastener which can be implemented single handed. It uses a spring activated locking mechanism to close a hinged shackle, and can be unfastened under load. This shackle is like our other shackles and hooks made of a high-quality stainless steel, namely AISI316.

### Pelican hook

The pelican hook is suitable for several areas of usage, such as the safety lines. The fitting is made of high-quality stainless steel, namely AISI316. Both the snap shackles and the pelican hook conform to the following standard:

Small craft – Man –overboard prevention and recovery ISO 15085:2003



E050070



E050075

### Stainless steel fittings

Part No	Product description	Safe Working Load [kg]	Breaking load [kg]	Weight [gr]	Dimensions [mm]
E050070	Snap shackle 70mm	800	1400	70	70 x 45
E050120	Snap shackle 120mm	1250	4000	227	120x 70
E050075	Pelican hook	600	1200	67	75 x 45

## DECK ORGANISERS

The Rutgerson deck organisers are designed to perfectly match sailors' needs. The assortment consists of two different ranges. The traditional aluminium range is available in five different sizes with two, three, four, five or six composite sheaves. The extensive range results in high flexibility, since sailors can choose sizes according individual preference and deck layout.

The Black Line range is made of black, high-tech composite with either two or four sheaves. Due to the properties of the material, the product weighs very little in relation to how high the working load is. In addition, the composite has smooth-touch properties and the black colour matches the rest of the Rutgerson deck hardware assortment.

The deck organisers can be stacked on top of each other to maximise efficiency of space and each sheave is through-deck bolted, which results in a high breaking load. Special bolts are available separately.

The deck organisers are 31mm high and the sheaves have a diameter of 40mm. The breaking load of each sheave is 2000kg and the maximum working load is 750kg. The recommended rope dimensions are 8-14mm.



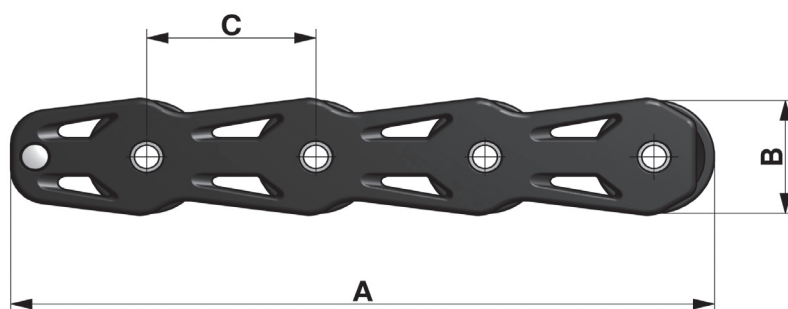
### Core benefits

- High working load
- Incredible strength to weight ratio
- Smooth-touch composite with unique design

### Deck organiser - composite sides

		A	B	C				
Part no	Product description	Length [mm]	Sheave Ø [mm]	Hole spacing [mm]	Safe working load [kg]	Breaking load [kg]	Rope diameter [mm]	Weight [gr]
B300022B	2 sheaves	115	40	56	750	1800	8 - 14	179
B300024B	4 sheaves	170	40	56	750	1800	8 - 14	259

M8 mounting bolts in all the fixing holes



### Special Bolt Set

Part no	Size [mm]
B290060-1	M6 x 80
B290060-2	M6 x 120
B290080-0	M8 x 60
B290080-1	M8 x 80
B290080-2	M8 x 120
B290081-1	M8 x 100
B290100-1	M10 x 80
B290100-2	M10 x 120
B290120-2	M12 x 120



B290080-1

Nut and bolt set suitable for Rutgerson deck organisers and footblocks



B600022



B600023



B600024



B600025



B600026

### Core benefits

- High working load
- Wide range of sizes
- Elegant design

## Deck organiser - aluminium sides

Composite Sheaves		A	B	C				
Part no.	Product description	Length [mm]	Sheave Ø [mm]	Hole spacing [mm]	Safe working load [kg]	Breaking load [kg]	Rope diameter [mm]	Weight [gr]
B600022	2 sheaves	115	40	56	800	1800	8 - 14	160
B600023	3 sheaves	170	40	56	800	1800	8 - 14	240
B600024	4 sheaves	230	40	56	800	1800	8 - 14	320
B600025	5 sheaves	285	40	56	800	1800	8 - 14	405
B600026	6 sheaves	340	40	56	800	1800	8 - 14	490

M8 mounting bolts in all the fixing holes

RC44 Cup, Marstrand 2011



## MAINSHEET SYSTEM

### Control the power!

The mainsheet is one of the most exposed parts of a yacht's equipment due to the extreme level of stress during sailing. The Rutgerson mainsheet system increases the durability and performance of that part due to its clever construction and Roll-link function. The system is built up in modules, which makes it easy to adapt to different types of boat and specifications. The tracks and travellers are made of high-quality anodised aluminium.

Rutgerson is very proud to announce that the product was proclaimed "Best in Test" among other traveller systems available on the market according to a test performed by the German magazine Segeln in association with Chalmers University (Technical university in Sweden). The test was designed to give an objective measure of the sliding resistance under realistic conditions, with a vertical pre-load corresponding to rough weather conditions.

*"It was found that the Rutgerson slider is superior in horizontal sliding under heavy conditions. Once again it was shown that Roll-links are clearly superior to ball bearings"* (German magazine Segeln)

The unique construction of the track system renders the product completely safe. The travellers cannot be detached from the track by force or accident, so even if the product breaks under extreme conditions the traveller will stay attached to the track preventing injuries to the crew and the equipment.

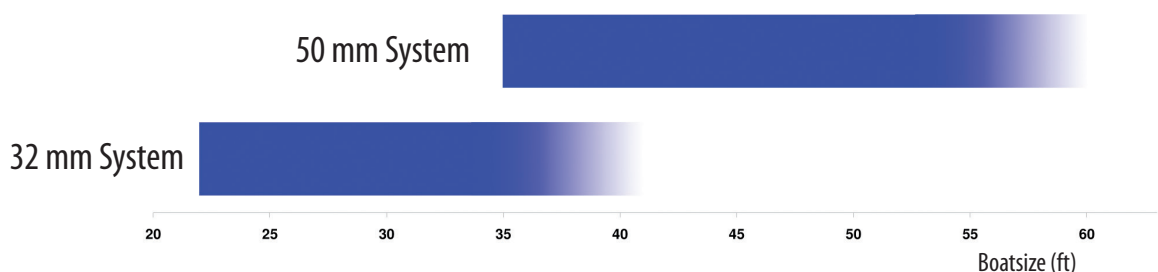
### Advantages with Roll-links:

- Maintenance free travellers that will always run smoothly due to the stainless steel link that keeps the rolls apart. This construction prevents any obstruction or clogging with salt or dirt. The roll-link "cleans itself" due to its unique construction.
- Easy to assemble because the rolls are held together with a stainless steel link. The fact that all rolls are held together facilitates both installation and adjustment.
- The force is spread over a larger area, which results in a reduction in strain on the material. The balls in ball bearing systems will deform into an egg-shape under pressure and stop running smoothly. Roll-links will always retain their original shape.
- The higher stress on the product during rough weather conditions, the better performance.

The Rutgerson mainsheet system will make your sailing experience effortless and hassle-free, upgrade your boat to the Rutgerson standard.

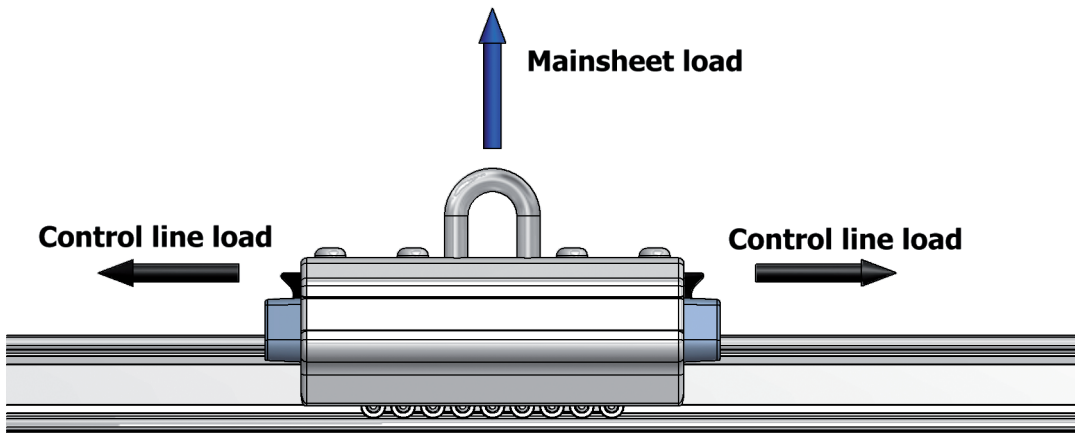
### How to choose mainsheet system

Below you see which system we generally recommend, depending on the size of the boat.



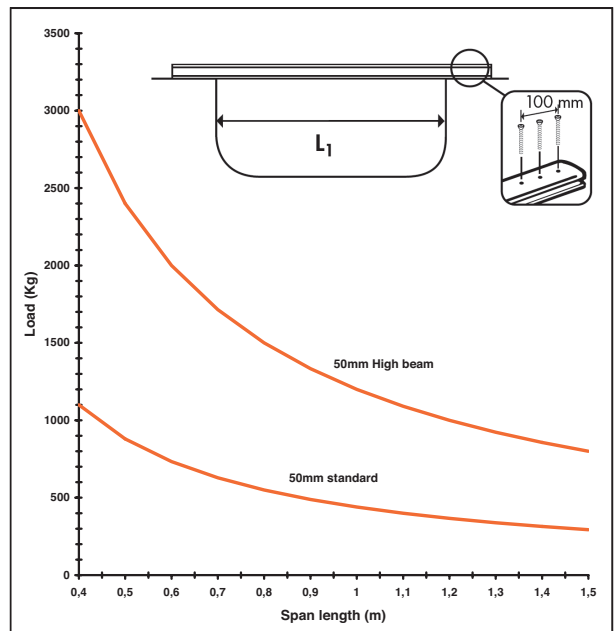
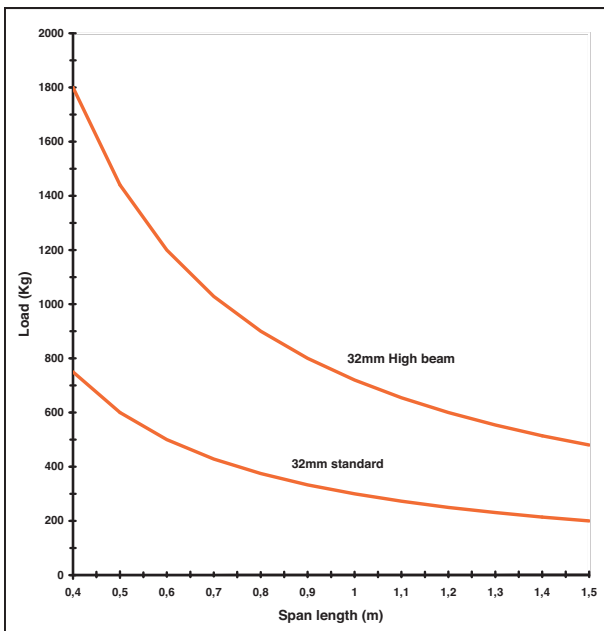


Good to know when you choose control line for your mainsheet system



Control line load is approximately 0,2 x mainsheet load

## How to choose track size and profile



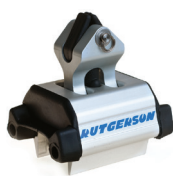
The maximum load on the mainsheet track depends on the distance between the sides in the cockpit when the mainsheet track is unsupported. That distance is called the span length. To obtain the maximum load, measure the distance and insert into the graph.

This graph is a general guide to help sailors choose the correct track for their boat. This information is only true when the track has been fitted according to Rutger's instructions.

## Mainsheet system 32 mm



T610112



T610122



T610111



T610113



T610001



T610021



T610101



T610121



T610212



T610222



T620301



T620005



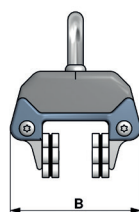
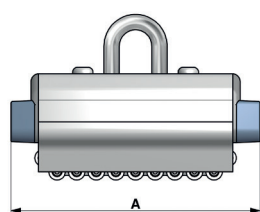
T620006



T610192



All mainsheet travellers, end stops and tracks are available in black, anodized aluminium



T690110 Complete Mainsheet system

### Complete Mainsheet System

Part no	Product description	Length [mm]	Width [mm]	Safe working load [kg]	Breaking load [kg]	Weight [gr]
T690110	Complete mainsheet system 32mm track	1500	67	1000	4000	3100

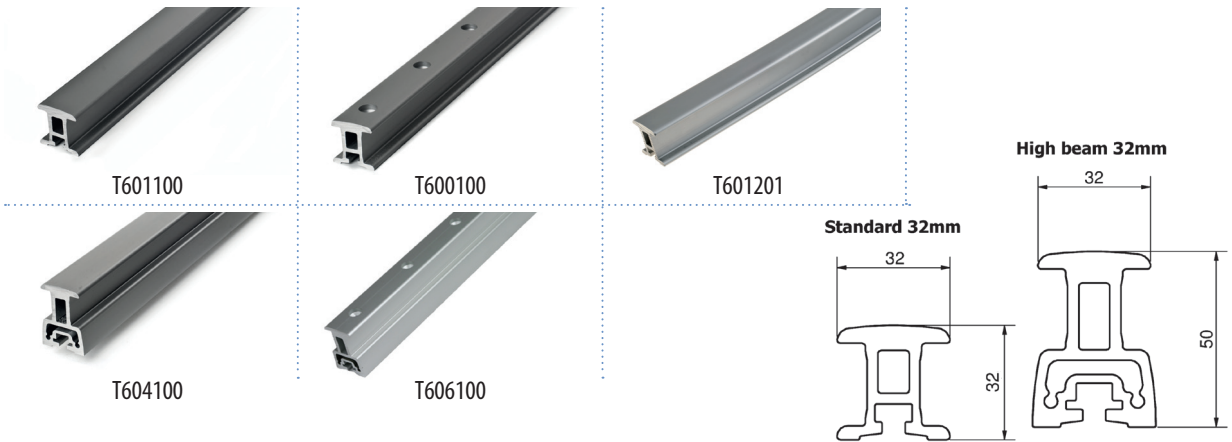
This 32mm mainsheet system comes as an assembled set, ready to be fitted on the deck. The control lines have to be acquired separately.

Part no	Product description	A		B		Weight [gr]
		Length [mm]	Width [mm]	Safe working load [kg]	Breaking load [kg]	
T610112	Extra short car with shackle	78	67	500	3000	315
T610122	Extra short car with stand-up	78	67	500	3000	325
T610111	Short car with shackle and stopper	125	67	1000	4000	325
T610113	Short car with stand-up and stopper	125	67	1000	4000	535
T610001	Short car with shackle	125	67	1000	4000	475
T610021	Short car with stand-up	125	67	1000	4000	485
T610101	Standard car with shackle and sheave	155	67	1000	4000	585
T610121	Standard car with stand-up and sheave	155	67	1000	4000	595
T610212	Long car with double shackle and sheave	235	67	2000	4000	1200
T610222	Long car with double stand-up and sheave	235	67	2000	4000	1300
T610192	Long car with 2 x 60mm sheaves	174	67	1500	4000	980
T620301	Control line end stops with sheaves	88	67	-	-	500
T620005	Adjustable plunger stoppers	58	41	-	-	365
T620006	Fixed plunger stoppers	58	41	-	-	300

All end stops are packed in pairs

All mainsheet travellers, end stops and tracks are available in black, anodized aluminium. Add "B" to the part no.

## Tracks



### Tracks

Part no	Product description	Width [mm]	Height [mm]	Hole spacing [mm]	Fasteners	Weight [gr/m]
T601100	32 mm track for sliding bolt	32	32	-	M6	1100
T600100	32 mm track stop hole	32	32	75	M6	1000
T601201	32 mm track for sliding bolt, 2,0m bent, 3,4 m (standard)	32	32	-	M6	2200 gr/pc
T604100	32 mm high beam sliding bolt*	32	50	-	M6	1900
T606100	32 mm high beam stop hole*	32	50	75	M6	1790

Tracks are available in a maximum length of 6000mm and bolts required are M6 (32mm)

\* Special washers required for installation, part no T609016

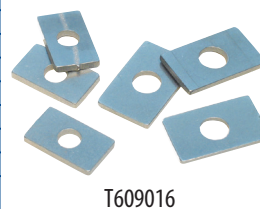
Add "B" after part no for black anodized aluminium

## Accessories



### Accessories mainsheet system 32mm

Part no	Product description	Weight [gr]
T620352	Sheave control line and cleat	360
T620351	Single sheave control line	120
T620353	Double sheave control line	230
T620001	Composite end caps	60
T620002	Composite end caps high beam track	6
T600001	Spare stand-up	70
T609006	Sealant washers	1
T310502	Roll-links (20 rolls) that fit travellers T610111, T610001, T610101, T610113, T610021, T610121, T610212, T610222.	18
T310504	Roll-links (24 rolls) that fit traveller T610192.	22
T310505	Roll-links (12 rolls) that fit travellers T610112 and T610122.	14
T609016	Square washers for high beam track	7
T605011	End fitting for high beam track	890



Must be used with high beam track.



## Mainsheet system 50 mm



T610900



T610920



T610901



T610921



T610902



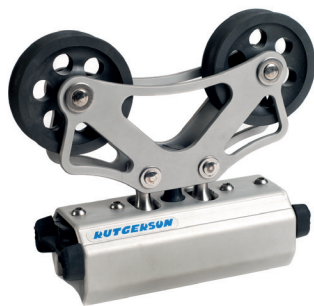
T610932



T620905



T620906

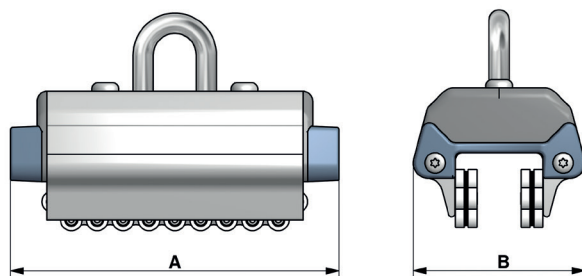


T610992



T630501

All mainsheet travellers, endstops and tracks are available in black, anodized aluminium.



### Travellers

Part no	Product description	A Length [mm]	B Width [mm]	Safe working load [kg]	Breaking load [kg]	Weight [gr]
T610900	Short car with shackle	130	73	2000	5000	645
T610920	Short car with stand-up	130	73	2000	5000	690
T610901	Standard car with shackle and sheaves	164	73	2000	5000	825
T610921	Standard car with stand-up and sheaves	164	73	2000	5000	850
T610902	Long car with double shackles and sheaves	235	73	3000	6800	1270
T610932	Long car with double stand-ups and sheaves	235	73	3000	6800	1360
T610992	Long car with 2 x 80mm sheaves	174	73	3000	5000	1205
T630501	Control line end stops with sheaves	88	73	-	-	510
T620905	Adjustable plunger stoppers	58	61	-	-	420
T620906	Fixed plunger stoppers	58	61	-	-	320

All end stops are packed in pairs

All mainsheet travellers, end stops and tracks are available in black, anodized aluminium. Add "B" to the part no.

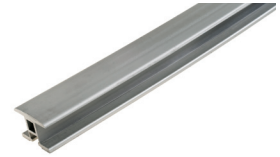
## Tracks



T602100



T603100



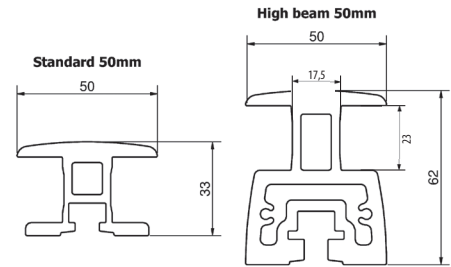
T602201



T605100



T607100



### Tracks

Part no	Product description	Width [mm]	Height [mm]	Hole spacing [mm]	Fasteners	Weight [gr/m]
T602100	50 mm track for sliding bolt	50	33	-	M8 with ø14mm head	1500
T602201	50 mm track for sliding bolt, 2,0m bent 4,0m (standard)	50	33	-	M8 with ø14mm head	3000gr/pc
T603100	50 mm track for stop hole	50	33	75	M8 with ø14mm head	1000
T605100	50 mm high beam sliding bolt*	50	62	-	M8 with ø14mm head	3600
T607100	50 mm high beam stop hole*	50	62	75	M8 with ø14mm head	3240

\* Special washers required for installation, Part no. T609018

Tracks are available in a maximum length of 6000mm and bolts required are M8 (50mm)

Add "B" to part no. for black anodised aluminium

## Accessories



T620352



T620351



T620353



T620901



T620902



T600002



T609008

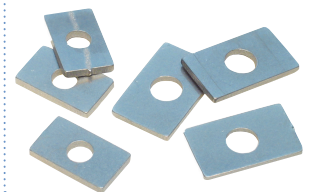


T310503

T310506

### Accessories mainsheet system 50mm

Part no	Product description	Weight [gr]
T620352	Sheave control line and cleat	360
T620351	Single sheave control line	120
T620353	Double sheave control line	230
T620901	Composite end caps	100
T620902	Composite end caps high beam track	20
T600002	Spare stand-up kit	130
T609008	Sealant washers	1
T310503	Roll-links (20 rolls) that fit travellers T610900, T610902, T610920, T610932	37
T310506	Roll-links (24 rolls) that fit travellers T610901, T610921 and T610992.	44
T609018	Square washers for 50mm high beam track	14



T609018

Must be used with high beam track.

## GENOA SYSTEM

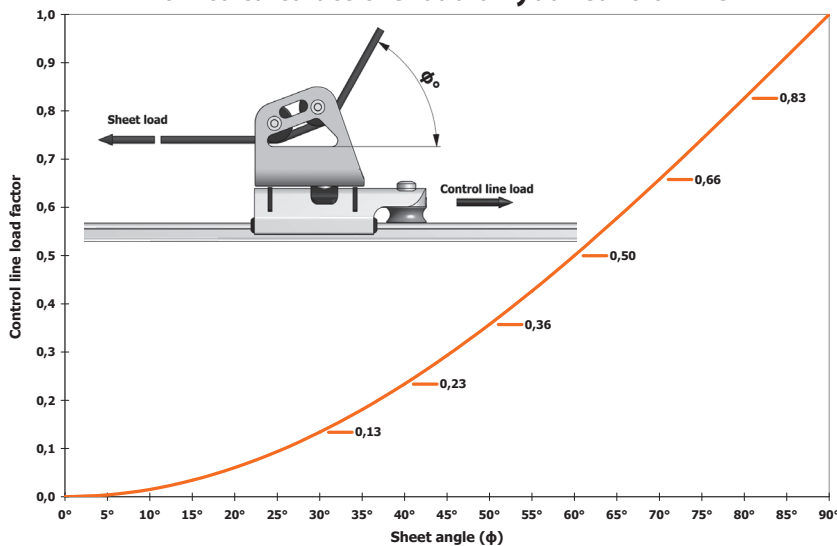
It is possible to adapt our genoa system so that it perfectly matches your boat and your needs. The system is built up in modules with varying application. The genoa travellers come in three sizes for boats up to 50ft. There are two models available, one with a plunger stop for tracks with stop holes and the other with a 2:1 control line sheave for tracks with a concealed fastening mechanism.

The centre-pin pivoting main body permits alignment with the sheets, not only sideways but also across the traveller car. Another crucial advantage with the Rutgerson Genoa traveller is that the "head" stands up by itself, minimising the risk of chafing/tearing of the sheet. To use the traveller, either lock the car in place with the plunger stop or fix it in the open position for a "semi-floating" function.

Rutgerson genoa travellers can be smoothly adjusted under load due to a composite material fitted between the traveller and the track. The two sheaves simulate one larger sheave, giving a low sheeting point and minimising chafing on all components. As with all our track systems, no maintenance is required.



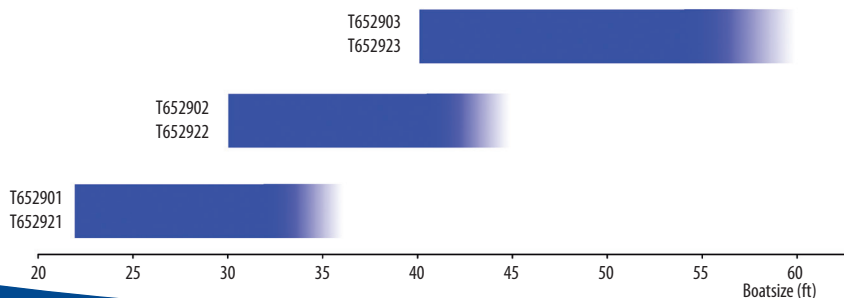
### How to calculate the load on your control line



The maximum load on the control line depends on the deflection of the sheet ( $\Phi$ ). In the graph you will find the load factor for the control line that corresponds to the different sheet angles. To obtain the control line load, multiply the sheet load with the control line load factor. If the sheet load is 100kg and the sheeting angle is 40 degrees, the control line load is  $100 \times 0,23 = 23\text{kg}$ .

### How to choose genoa system

Below you see which car for the genoa system we generally recommend, depending on the size of the boat.



## Genoa system cars



T652901



T652902



T652903



T652921



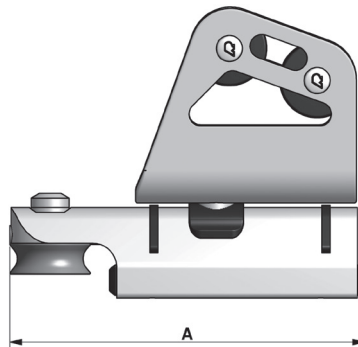
T652922



T652923



T652912



### Cars

Part no	Product description	A		Safe working load [kg]	Breaking load [kg]	Weight [gr]
		Length [mm]	Width [mm]			
T652901	Genoa traveller small with plunger stop	138	46	1000	2000	610
T652902	Genoa traveller medium with plunger stop	152	46	1500	3000	758
T652903	Genoa traveller large with plunger stop	176	46	2000	4000	1030
T652921	Genoa traveller small with 2:1 control	150	46	1000	2000	610
T652922	Genoa traveller medium with 2:1 control	164	46	1500	3000	758
T652923	Genoa traveller large with 2:1 control	188	46	2000	4000	1030
T652912	Genoa lead block	100	46	1500	3000	523

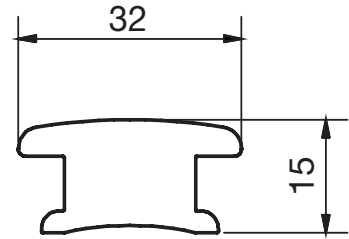
## Tracks



T652100



T653100



### Tracks

Part no	Product description	Width [mm]	Height [mm]	Hole spacing [mm]	Fasteners	Weight [gr/m]
T652100	Stop hole track	32	15	75	M6	850
T653100	Sliding bolt track*	32	15	-	M8	555

\* Special washers required for installation, Part no. T609008  
Add "B" to part no. for black anodised aluminium

## End stops



T620301



T620005



T620007

### End stops

Part no	Product description	Length [mm]	Width [mm]	Weight [gr]
T652001	End stops	39	38	38
T620301	Control line end stops with sheave	88	67	248
T620005	Adjustable plunger stoppers	58	67	185
T620007	Friction stoppers	58	67	350

All end stops come in pairs



T652001

## Accessories

### Accessories

Part No	Product description
T352915	Control line eye for travellers T652901, T652902 and T652903 for floating control.
T609008	8mm Sealant washer
T620352	Sheave control line and cam set



T352915



T609008

All Genoa travellers, end stops and tracks are available in black anodized aluminium.



## SELF-TACKING JIB SYSTEM

The Rutgerson self-tacking jib system does all the work for you. It is built around our roll-link traveller system, which can be adjusted to fit all kinds of boats. The travellers can take oblique loads up to 45 degrees from vertical. Side friction is minimal due to the successful Roll-link concept. Our self-tacking jib system has been developed and tested to withstand the toughest conditions at sea.

The track can be bent horizontally, vertically or both in a compound bend. For tracks with a radius that is greater than 3700mm or smaller than 3400mm, a customised track can be ordered.

Like all our track systems, the self-tacking jib is completely maintenance free. Just rinse the track and traveller two or three times per season with fresh water.

In order to establish the correct bending radius for you boat, please do the following:

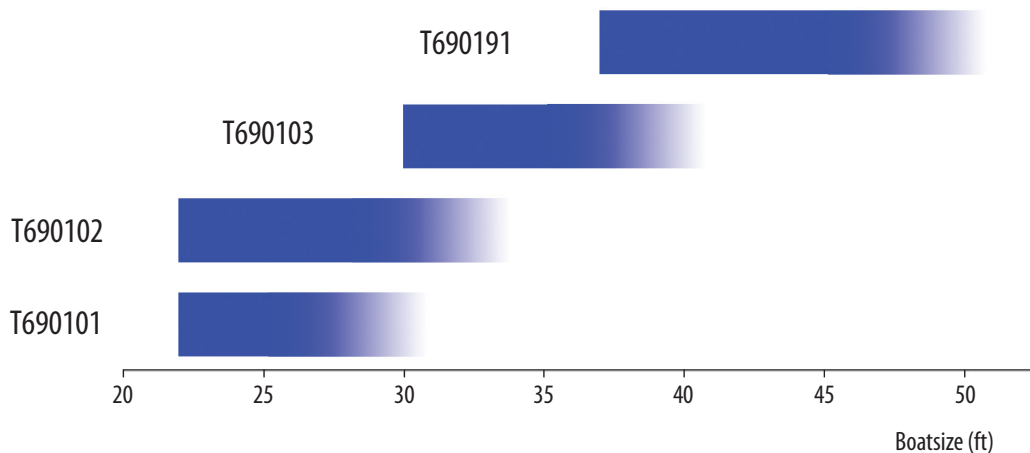
1. Measure the distance between the front of the mast and the headstay ("J" measurement).
2. The bending radius should be 95% of "J".
3. The radius can be altered from 3400mm to 3700mm by gently applying the full body weight onto the track with the upper surface facing down.

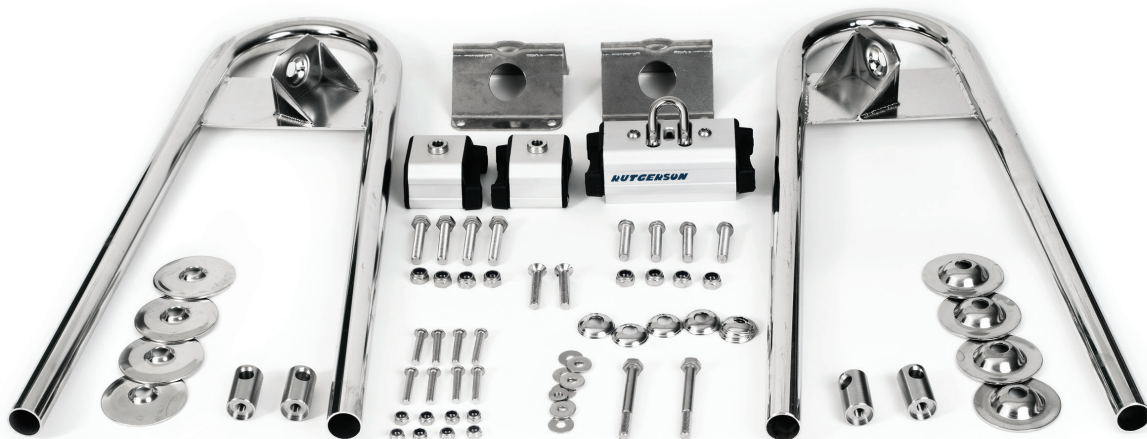
Enjoy hassle-free sailing with the Rutgerson Self-tacking Jib System.



### How to choose self-tacking system

Below you see which system we generally recommend, depending on the size of the boat.





## Self-tacking Jib System

Part no	Track width [mm]	Length of track [mm]	Radius [mm]	Rec. Boat size	Included articles	Product description
T690101	32	2000	3400	Up to 30ft*	T390100	Self-tacking jib fittings
					T601201	32mm track
					T610112	Extra short car with shackle
					T620006	Pair of fixed stoppers
T690102	32	2000	3400	Up to 33ft*	T390100	Self-tacking jib fittings
					T601201	32mm track
					T610112 x 2	Pair of extra short cars with shackles
					T620006	Pair of fixed stoppers
T690103	32	2000	3400	Up to 40ft*	T390100	Self-tacking jib fittings
					T601201	32mm track
					T610001	Short car with shackle
					T620006	Pair of fixed stoppers
T690191	50	2000	4000	Up to 50ft*	T390190	Self-tacking jib fittings
					T602201	50mm track
					T610900	Short car with shackle
					T620906	Pair of fixed stoppers

\* To be considered an approximate measure.



For more information, please visit [www.rutgerson.se](http://www.rutgerson.se)

## GENERAL WARRANTY & KEY TERMS OF SUPPLY BY RUTGERSON MARIN AB

### A) WARRANTY

#### 1) PERIOD OF WARRANTY

Rutgerson Marin AB issues a general warranty time durable for three years against malfunction or breakage from the date of delivery.

#### 2) WARRANTY COVERAGE

Products sold by Rutgerson Marin AB and in normal and customary use, are conditionally warranted against malfunction or breakage. The warranty does not cover:

- i) Defects or damage resulting from use of the product in other than its normal and customary manner;
- ii) Defects or damage from misuse, accident or neglect;
- iii) Defects from improper testing, operation, maintenance, installation, alteration, modification or adjustment;
- iv) Damage from unauthorized repair or alterations;
- v) Damage from corrosive materials, ultra violet degradation, wear or tear beyond the specification of the case or enclosure.

#### 3) WARRANTY PROCEDURE OF SERVICE OR REPLACEMENT

Notice of a claim for defect, service or replacement covered by this limited warranty shall be made promptly and in writing to the local Rutgerson distributor that supplied the product or to Rutgerson Marin AB. Products returned for service or replacement under this limited warranty must be assigned a valid RGA Return Goods Authorization number by Rutgerson Marin AB. Unidentified and unauthorized goods returned to Rutgerson Marin AB will NOT be approved or eligible for further investigation.

The customer is responsible for undertaking all expenses associated with transporting the goods to and from Rutgerson Marin AB or the local Rutgerson distributor that supplied the product. If the investigation of the product and the warranty claim reveals that the defect, malfunction or breakage is not covered by this limited warranty, the customer will be contacted and advised with respect to additional cost in conjunction with service or replacement.

For approved RGA goods, please send these together with assigned RGA documents to:

WARRANTY GOODS  
Rutgerson Marin AB  
Mjölkekilsgratan 21  
SE-442 66 Marstrand  
SWEDEN

### B) PURCHASE ON APPROVAL

Rutgerson Marin AB issues a general purchase on approval period durable for 60 days after delivery. Products that are subject for return needs to be unused and delivered to Rutgerson Marin AB in their original packing and according to the procedure stated in section (A3) above. Returned products will thereafter be subject to investigation and upon approval a 15% handling fee of the original purchase amount will be surcharged to all eventual credits. For all customized or one-off items, purchase on approval does not apply.

### C) SUPPLY

#### 1) PACKING QUANTITY

Products are supplied in stated packing and minimum purchase quantities only. For supply in smaller and/or customized quantities, additional terms will apply. For further information about alternative supply conditions, please contact Rutgerson Marin AB.

#### 2) DELIVERY TIME

All official delivery times endorsed by Rutgerson Marin AB are estimated and can be subject to changes. Rutgerson Marin AB is in the event of such related changes legislated to inform the customer.

#### 3) UNANTICIPATED DEFECTS & DELAYS

Rutgerson Marin AB shall not be liable for unanticipated defects/delays, nor shall it be liable for any damage, whether direct or indirect, beyond the provisions set forth above or otherwise provided to customers under statutory law legislation. In connection with delivery of incorrect or defective goods, the customer must promptly submit a complaint to Rutgerson Marin AB.

### D) DEFINITIONS

#### 1) SAFE WORKING LOAD (SWL)

Is the maximum static and/or dynamic load at which the product will still function without excessive friction, distortion, wear or permanent deformation of its components. Above this load, systems may fail, moving parts may seize and stainless steel or plastic components may begin to bend, stretch or otherwise deform. SWL should never exceed 55% of the breaking load (BL), and should never be exceeded in use.

#### 2) BREAKING LOAD (BL)

Is the load at, or around which, a major failure can be expected to occur to some part of the product's structure when new. Plastic components may split, rivets may give way, shackles may break and other metallic components may fracture. No product should be used at more than 55% of the breaking load.



## The Rutgerson original philosophy

It is my firm belief that innovator, designer or manufacturer of yacht fittings should know the open sea in really bad weather to understand what is going on.

The Rutgerson staff have been out there..

A handwritten signature in black ink, appearing to read 'Göran Rutgerson', written in a cursive style.

Göran Rutgerson - 1976

**RUTGERSON**  
*Best in action*

### **Deck Hardware Distributor Network**

Rutgerson Marin AB is represented on all continents by an impressive network of over 40 local distributors. All our distributors have a long tradition of serving our customers with

dedication and knowledge of our products and their demands.

For updated information about our distributors, please visit [www.rutgerson.se](http://www.rutgerson.se).

### **Rutgerson Marin AB**

Mjölkekilsgatan 21,  
SE-442 66 Marstrand, Sweden  
+46 (0)303-20 66 50,  
[postmaster@rutgerson.se](mailto:postmaster@rutgerson.se)